

**Submittal Data Sheet**



Job or Customer: .....

Engineer: .....

Contractor: .....

Submitted by: ..... Date .....

Approved by: ..... Date .....

Order No: ..... Date .....

Specification: .....

**ADDITIONAL CORROSIVE  
WASTE PRODUCTS**

**ENFIELD™**  
ELECTROFUSION ACID WASTE SYSTEM

**LABLINE®**  
MECHANICAL JOINT ACID WASTE SYSTEM

**PLENUMLINE™**  
FR-PVDF MECHANICAL JOINT ACID WASTE SYSTEM

**NEUTRATANK®**  
NEUTRALIZATION TANKS

**Encase™**  
PP Double Containment System

IPEX corrosive waste piping system has all the accessories necessary for a truly integrated plumbing system, including non-adjustable acid-resistant floor drains.

For efficiently managing chemical spills, our Floway™ non-adjustable polypropylene drain ports are specially designed to feed into IPEX acid waste systems.

Key Advantages of the IPEX Floway™ non-adjustable polypropylene floor drains include:

- Outlet sizes available from 2" – 6"
- Can be configured with adjustable strainers, and plain end or threaded outlets

**product availability**

Non-adjustable floor drain

#### FLOWAY™ POLYPROPYLENE DRAIN DIMENSIONS – NON-ADJUSTABLE

SPECIFICATION: Floway series F4000 polypropylene non-adjustable floor drain with 8-1/2" diameter strainer and plain end outlet. Body with 14-1/2" diameter flange, and non-puncturing style flashing collar with weep holes.

#### SERIES F4000 NON-ADJUSTABLE FLOOR DRAIN

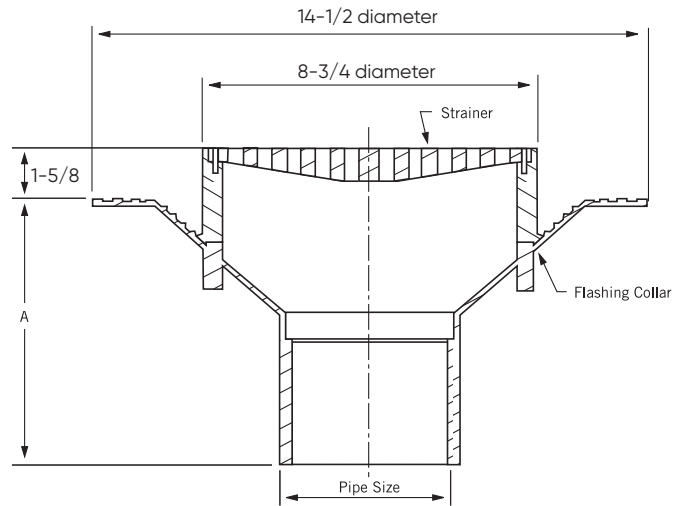
Cat. No.	Outlet Size (in)	A (in)	Wgt (lbs)
F4201	2*	10-5/8	2.8
F4301P	3	7	2.3
F4401P	4	7	2.5
F4601P	6	7	2.7

All drains are minimum 3" diameter.

\* For 2" drains, use the appropriate Enfield or Labline reducer.

#### OPTIONS

- Gas tight plug
- Male iron pipe thread outlet



## FLOWAY™ POLYPROPYLENE DRAIN OPERATIONAL NOTES

Test	Test Standard	Conditions	Unit	Safe Load
Static Load Test	Non-Adjustable	72°F / full face loading	lbf	11000

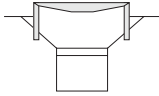
The maximum safe live load was calculated by dividing the load at failure by two.

**Note:**

- i. The press test simulates (under laboratory conditions) the resistance to buckling of floor drains under given loadings and surface area considerations.
- ii. It is not meant to simulate every type of wheel design loading as this will vary according to the equipment supplier.
- iii. The larger the wheel diameter, the more likely it is that the full face loading result can be used as an indication of resistance to load
- iv Polypropylene will normally recover to near its original dimensions after the load is removed.

Dimension inches	Significant Number	Product Code
------------------	--------------------	--------------

F4000 Series Non-Adjustable Floor Drain



Enfield 2	F4201L	237041
Labline 2	F4201W	237079
3	F4301P	237051
4	F4401P	237061
6	F4601P	237071

Size (inches):


- 2" Enfield
- 2" Labline
- 3
- 4
- 6

Options (select all that apply):

- Gas Tight Plug
- Male Iron Pipe Thread Size Outlet

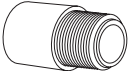
IPEX Part Number:

---

	Dimension inches	Significant Number	Product Code
<b>Gas Tight Plug</b>			
	3	P20036	237815
	4	P20037	237816
	6	P20038	237817

<b>Blank Cover for F Series Drains</b>			
	F4000 Series	P20033	237813

<b>Grid Strainers for F Series Drains</b>			
	F4000 Series	P20011	237806

<b>Male Iron Pipe Threaded Outlet</b>			
	3	-	257091
	4	-	257092

<b>FPT Tap for Priming Drain Assembly</b>			
	3/8	-	237430
	1/2	-	237429

<b>Trap Primer 12" Length w/ 1/2" FPT</b>			
	2	-	257126
	3	-	257127
	4	-	257128

IPEX components are dimensionally matched; do not install system of mixed brands without our expressed written consent.

### About IPEX by Aliaxis

As leading suppliers of thermoplastic piping systems, IPEX by Aliaxis provides our customers with some of the world's largest and most comprehensive product lines. All IPEX by Aliaxis products are backed by more than 50 years of experience. With state-of-the-art manufacturing facilities and distribution centers across North America, we have established a reputation for product innovation, quality, end-user focus and performance.

Markets served by IPEX by Aliaxis products are:

- Electrical
- Telecommunications and utility
- Industrial process piping
- Municipal pressure and gravity flow
- Plumbing and DWV and water supply
- Irrigation
- Electrofusion PE for gas and water
- Industrial, plumbing and electrical cements
- PVC, CPVC, PVCO, ABS, PE, PEX, PP and PVDF pipe and fittings

Products are manufactured by IPEX Inc.

Flowway<sup>TM</sup>, Enfield<sup>TM</sup>, Labline<sup>®</sup>, Plenumline<sup>TM</sup>, Neutratan<sup>®</sup> and Encase<sup>TM</sup> are trademarks of IPEX Branding Inc.

---

This literature is published in good faith and is believed to be reliable. However, it does not represent and/or warrant in any manner the information and suggestions contained in this brochure. Data presented is the result of laboratory tests and field experience.

A policy of ongoing product improvement is maintained. This may result in modifications of features and/or specifications without notice.