

SYSTEM XFR® water line guide

Typical spacing and bracing of water supply lines to any basin or sink rough-in usually requires building material sourced from the job site. **The System XFR® Water Line Guide is your solution.** Time and money are no longer wasted when trying to secure and fasten water lines. By means of solvent weld, the System XFR Water Line Guide secures directly to the waste fitting while the two even and symmetrical 1/2" CTS openings hold the water lines in place. No need for bracing of any kind. You now have a simple and turnkey solution for a costly and time-consuming age-old process.

The Water Line Guide is manufactured from System XFR material that can be used in all building types. It is designed to allow the 1/2" CTS water lines to be securely braced to all basin or sink rough-ins and provide a neat, secure, and reliable installation so that it provides consistent spacing position and height relative to the drain-pipe.



**System XFR Water Line
Installation**

Features and Benefits:

- Made with System XFR PVC material
- Flame Spread and Smoke Development ratings of 25/50 as per CAN/ULC S102.2
- Securely fastens and guides 1/2" CTS water lines
- Creates evenly spaced water lines at a uniform height in proportion to the drain fitting
- Save time, labour and money

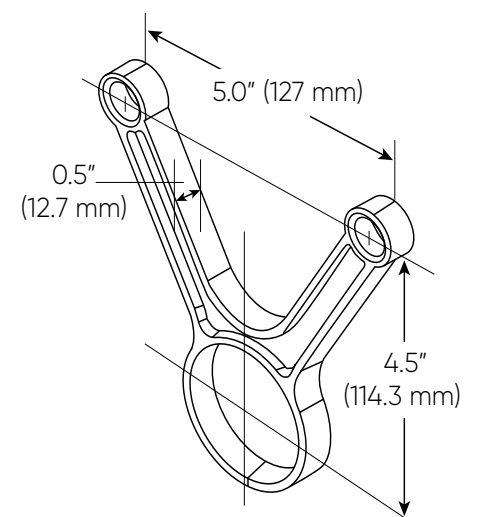
Standards:



Product Selection

Size inches	Product Code
1-1/2 x 1/2	526014

Dimensional Data



Contact us

Visit our website: ipexna.com

Toll free Canada: (866) 473-9462

Products manufactured by IPEX Inc. System XFR® is a registered trademark.