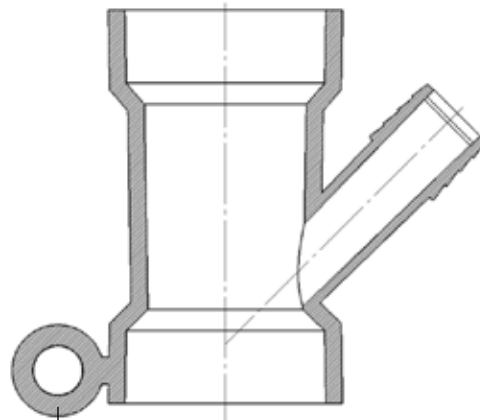


System XFR® Dishwasher Wye

For drainage, dishwashers require a barbed hose connection that branches to 1-1/2" DWV lines under the sink. The dishwasher wye provides a 3/4" connection, slightly larger than the standard 1/2" size, which accommodates many new models that have upsized to a 3/4" drain hose.

	Size		Product Code
	inches	mm	
	1-1/2 x 1/2	40 x 12	526495
	1-1/2 x 3/4	40 x 20	526496



Plug for Hose
Barb Outlet

Features and Benefits:

- Meets Code requirements for combustable and noncombustible buildings
- Flame Spread and Smoke Development ratings of 25/50 as per CAN/ULC S102.2
- Optional plug for the barbed end is attached to the body of the wye

Standards:



CSA B181.2
CAN/ULC S102.2

Contact us

Visit our website: ipexna.com

Toll free Canada: (866) 473-9462

System XFR® is a registered trademark.