

# IPEX Valve Control Panel

## Submittal Data Sheet

Job or Customer : .....

Engineer : .....

Contractor : .....

Submitted by : .....

Approved by : .....

Order No : .....

Specification : .....

In a complex automated system, local valve control provides quick and convenient access during maintenance and repair. Working as a relay between automated valves and the building PLC, the IPEX Valve Control Panel will communicate valve position via its own SPDT relays, cycle up to 4 valves and permit cycling between remote and local control all from a single panel. IPEX offers panels that are suitable with both modulating and standard on/off electric and pneumatic automation for both indoor and outdoor applications.

### Digital Panel Standard Features:

- Controls up to Four Actuators
- Simple HMI/LCD Touch Display
- NEMA Type 4X/IP65 FRP Lockable Enclosure with Mounting Flange for **Indoor** Use
- Individual Valve Local or Remote Control Selection
- Individual Valve Cycling and Shutdown Options
- Individual Terminal Block Inputs
- SPDT Relay Outputs for Remote Position Indication
- RS-232 Modbus Serial Communication for Remote Access and Status with a Single Cable
- 32°F – 104°F Temperature Range
- 120vac Power Supply Required
- UL508A Listed

### Pushbutton Panel Standard Features:

- Simple Pushbutton Operation
- NEMA Type 4X/IP65 PVC Lockable Enclosure for **Indoor/Outdoor** Use
- Local or Remote Control Selection
- Individual Labelled Terminal Block Inputs
- SPDT Relay Outputs for Remote Position Indication and Remote/Local Control Status
- -4°F – 122°F Temperature Range
- 120vac Power Supply Required
- UL508A Listed

[ipexna.com](http://ipexna.com)

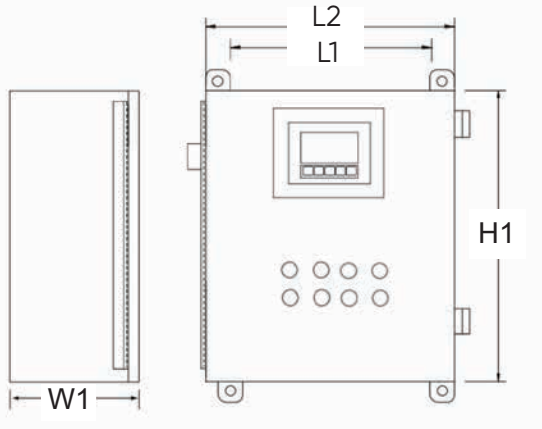
Toll Free: 866 473-9462



# IPEX Valve Control Panel

## Submittal Data Sheet

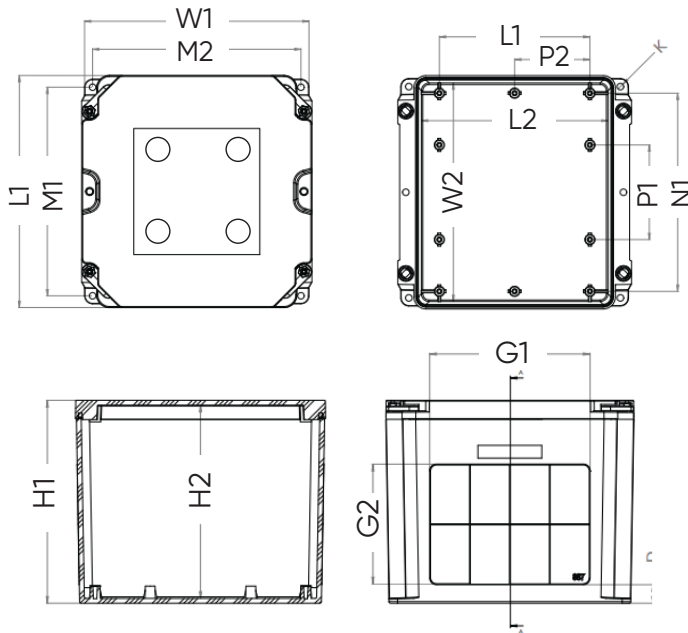
### Digital Panel Dimensions



**NOTE:** Actual panel setup may vary based on application requirements. Images shown are for dimensional purposes only.

Size (in.)	L1	W1	L2	H1
8 x 8 x 4	9.75	6.2	12.0	14.0

### Pushbutton Panel Dimensions



**NOTE:** Actual panel setup may vary based on application requirements. Images shown are for dimensional purposes only.

Size (in.)	L1	W1	L2	W2	H1	H2	M1	M2	G1	G2	N1	N2	P1	P2	D	K
8 x 8 x 4	9.58	9.58	7.86	9.20	4.90	4.52	8.90	8.90	6.47	1.97	8.25	6.26	3.94	3.13	0.59	0.28

### Panel Specifications

#### Interface:

- Digital
- Pushbutton

#### Number of Valves Required:

#### Type of Actuator:

- On/Off Electric
- Modulating Electric
- Pneumatic with Pilot Solenoid

#### Actuator Voltage:

- 120vac
- 240vac
- 24vdc

#### Enclosure Type:

- NEMA 4X FRP – Digital Standard
- NEMA 4X PVC – Pushbutton Standard
- NEMA 4X Aluminum Enclosure
- NEMA 4X Stainless Steel Enclosed

#### Position Indication:

- LED Position Indicating Lights

#### Accessories:

- Ethernet Communication (Digital Only)
- Pole Mounting Kit (Pushbutton Only)

For Specific Application Requirements, please contact IPEX.