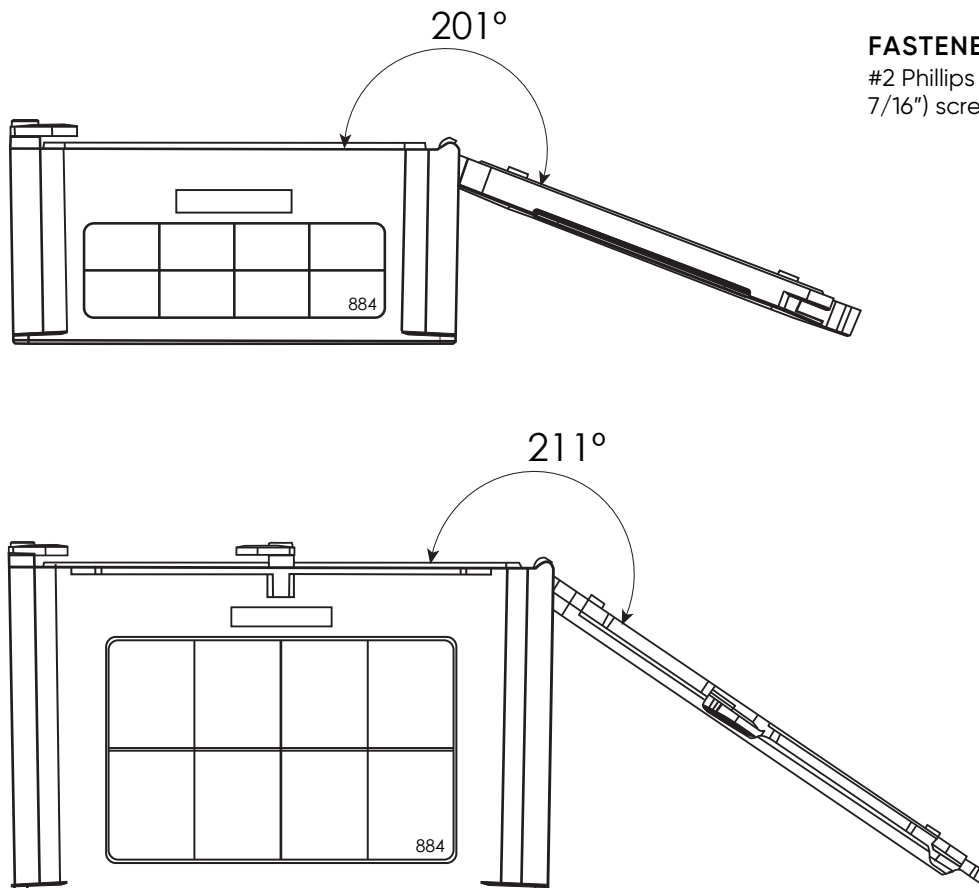


Scepter JBox Hinged Cover

Junction boxes and enclosures form an integral part of a circuit protection system and are constructed to provide a degree of protection to personnel against incidental contact with the enclosed equipment and to provide a degree of protection to the enclosed equipment against specified environmental conditions. JBXH boxes are molded of PVC, are entirely non-metallic and provide NEMA Type 1, 2, 3R, 4, 4X, 12, 13 protection.

APPLICATION / USE


JBXH junction boxes are designed and approved for use in indoor/outdoor, industrial, MRO and OEM applications for the accessibility and installation of wire and cable in continuous lengths and to enclose joints and splices. JBXH hinged cover junction boxes can also be used to enclose electrical equipment in non-hazardous locations. The use of a hinged cover box allows for easy access to installed components and protects the contents from the environment.



MATERIAL

PVC proprietary gasket 8" - 12"
Neoprene gasket 14" - 16"

STANDARDS

UL 50/50E, CSA 94.1/94.2, 
CSA C22.2 No.85, CSA C22.2 No.40

FLAMABILITY RATING

UL 94V-0

OUTDOOR SUITABILITY

UL 746C

OPERATING TEMPERATURE

-40°C to 50°C

NEMA

Type 1, 2, 3R, 4, 4X, 12, 13

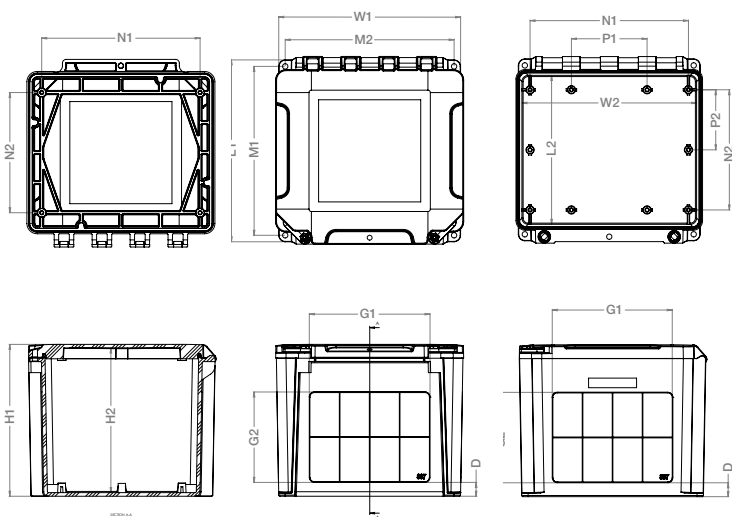
FASTENER TOOL

#2 Phillips or Hexagonal head (11m or 7/16") screwdriver

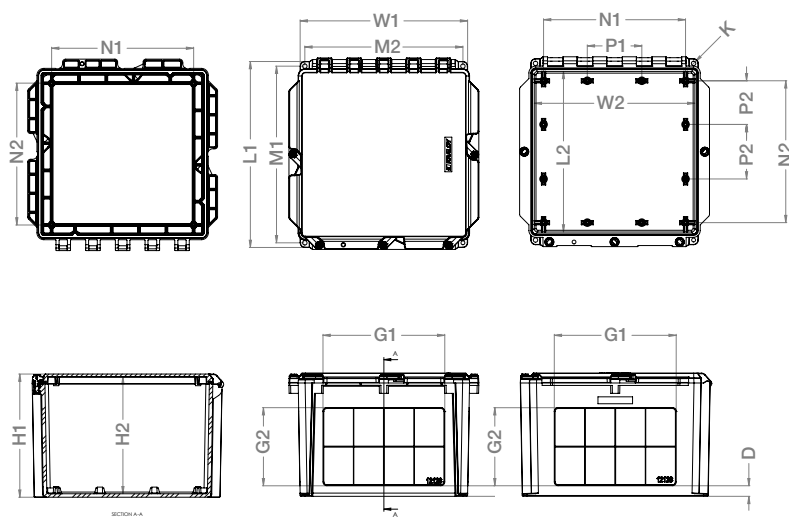
Scepter JBox w Hinged Cover 8" to 16"

| Size inches | Part Number | Product Code | L1 | W1 | L2 | W2 | H1 | H2 | M1 | M2 | G1 | G2 | N1 | N2 | P1 | P2 | D | K | Vol. |
|-------------|-------------|--------------|--------|-------|-------|-------|-------|-------|-------|-------|-------|------|-------|-------|------|------|------|------|--------|
| | | | inches | | | | | | | | | | | | | | | | |
| 8x8x4 | JBXH884 | 277100 | 9.58 | 9.58 | 7.86 | 9.20 | 4.90 | 4.52 | 8.90 | 8.90 | 6.47 | 1.97 | 8.25 | 6.26 | 3.94 | 3.13 | 0.59 | 0.28 | 293.19 |
| 8x8x7 | JBXH887 | 277101 | 9.47 | 9.47 | 7.86 | 9.20 | 7.90 | 7.52 | 8.90 | 8.90 | 6.22 | 4.65 | 8.25 | 6.26 | 3.94 | 3.13 | 0.75 | 0.28 | 506.97 |
| 12x10x6 | JBXH12106 | 277102 | 11.51 | 12.17 | 9.67 | 11.67 | 6.90 | 6.46 | 10.80 | 10.80 | 8.03 | 3.78 | 10.25 | 8.26 | 3.94 | 2.16 | 0.67 | 0.28 | 682.15 |
| 12x12x4 | JBXH12124 | 277103 | 13.58 | 12.24 | 11.74 | 11.74 | 4.90 | 4.46 | 12.90 | 12.90 | 9.28 | 2.03 | 10.26 | 10.25 | 3.94 | 3.13 | 0.56 | 0.28 | 548.26 |
| 12x12x6 | JBXH12126 | 277104 | 13.58 | 12.24 | 11.74 | 11.74 | 6.90 | 6.46 | 12.90 | 12.90 | 9.03 | 3.78 | 10.26 | 10.25 | 3.94 | 3.13 | 0.67 | 0.28 | 822.21 |
| 12x12x8 | JBXH12128 | 277105 | 13.58 | 12.24 | 11.74 | 11.74 | 8.90 | 8.46 | 12.90 | 12.90 | 8.81 | 5.64 | 10.26 | 10.25 | 3.94 | 3.13 | 0.76 | 0.28 | 1092.9 |
| 14x14x8 | JBXH14148 | 277106 | 15.72 | 14.39 | 13.80 | 13.80 | 9.10 | 8.46 | 15.10 | 15.10 | 11.05 | 5.69 | 12.25 | 10.26 | 3.94 | 3.16 | 0.83 | 0.33 | 1535.0 |
| 14x14x10 | JBXH141410 | 277107 | 15.72 | 14.39 | 13.80 | 13.80 | 11.10 | 10.52 | 15.10 | 15.10 | 11.05 | 7.55 | 12.25 | 10.26 | 3.94 | 3.16 | 0.83 | 0.33 | 1916.0 |
| 16x16x10 | JBXH161610 | 277108 | 17.64 | 16.3 | 15.71 | 15.71 | 11.1 | 10.52 | 17 | 17 | 12.55 | 7.55 | 14.25 | 12.26 | 4.71 | 4.09 | 0.83 | 0.33 | 2520.0 |

JBXH884 - JBXH887



JBXH12104 - JBXH161610



JBXH12106 - JBXH161610