

duraflo[®] **WeatherPRO**[®] Series



WE KNOW VENTILATION

WeatherPRO®

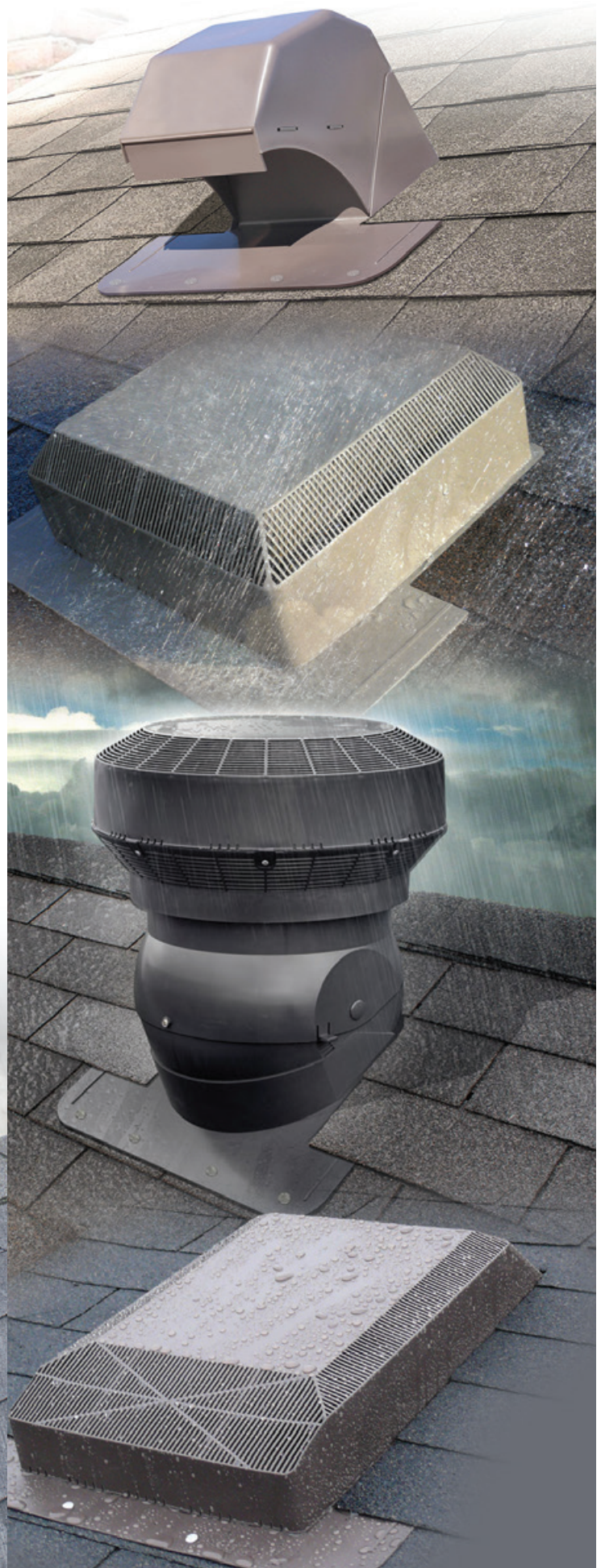
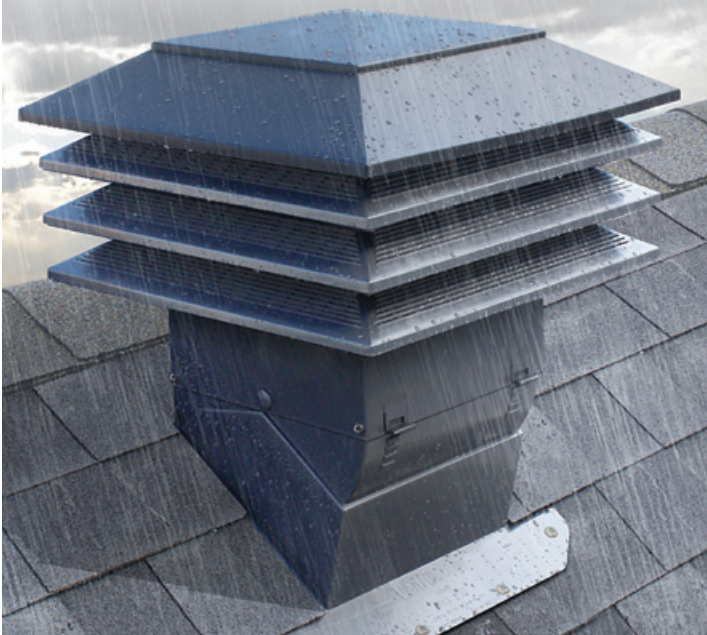
Series

Control the Weather

Extreme weather conditions across the country has increased the demand for a weather resistant vent. Duraflo® has developed the WeatherPRO® Series line of roof vents, which are available now through your local distributor or retail store.

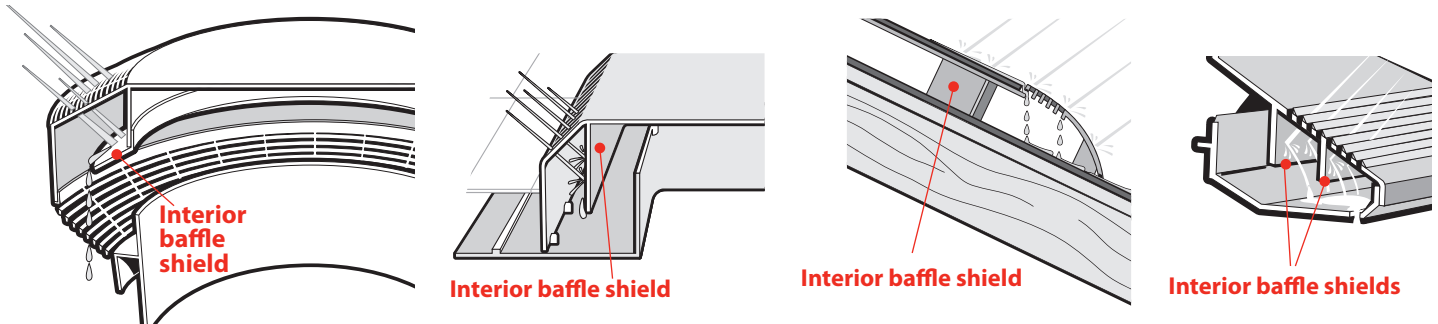
With the WeatherPRO® Series, you no longer need to worry about extreme weather. Designed to allow for high volumes of airflow, while providing excellent defence against weather infiltration, the patented WeatherPRO® internal baffles deflect water and snow allowing for harmless draining out the drainage openings. The WeatherPRO® series also incorporates a patent pending moisture control system which directs precipitation away from the vent openings.

Combining manufacturing quality, with Duraflo® WeatherPRO® technology, and a patent pending moisture control system, will ensure the WeatherPRO® Series is the first choice when weather infiltration is an issue.



WeatherPRO® Upward Venting

The solid sidewalls and upward venting design behind the WeatherPRO® vents have been engineered to increase weather protection while improving ventilation in high wind areas. The solid sidewalls work in part with the interior baffles, providing the first line of defense against driving rain and snow. The solid sidewalls also act to push wind up and over the cap of the vent, as opposed to under, like a traditional roof vent. This airflow over the cap of the vent creates negative pressure to draw air from the attic.

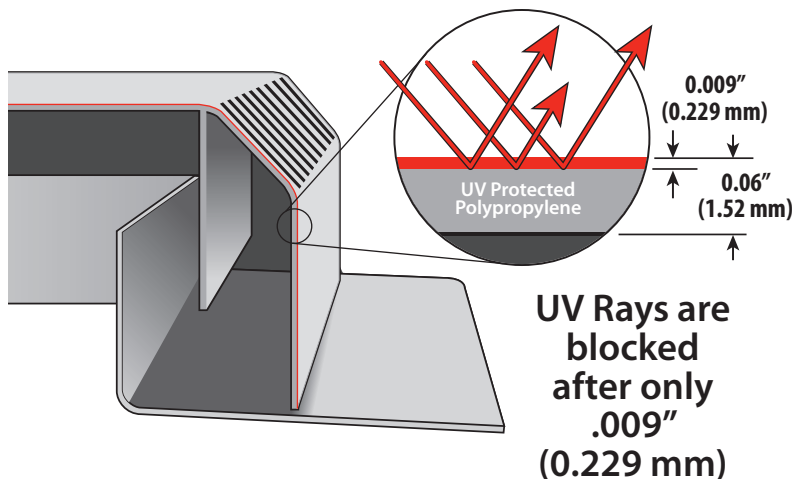


Material - Cold Impact Tested

The WeatherPRO® line of vents are manufactured from all virgin polypropylene allowing them to withstand the most extreme climates. The material used in manufacturing the WeatherPRO® Series is cold impact tested at -40 degrees. The material remains functional, flexible and resilient to damage even when installed with a nail gun.

Material & UV Protection

Injection molded from pure, high grade polypropylene with premium UV inhibitor additives that blocks harmful UV Rays.



- Over 18 years of accelerated weathering testing
- Customized UV inhibitor package in all molded products
- All color contain UV inhibitors
- CSA evaluated

Evaluated and passed based on the following criteria:

- ASTM G 155 Accelerated Weathering
- ASTM D 638 Tensile Strength Difference
- ASTM D 2843 Smoke Density Rating
- ASTM D 635 Rate of Burning

STATIC VENTS - PROVentilator, 1, 2 & 3 Tier Models

Models: WeatherPRO® PROVentilators:

3 Tier #60PRO150

2 Tier #60PRO140

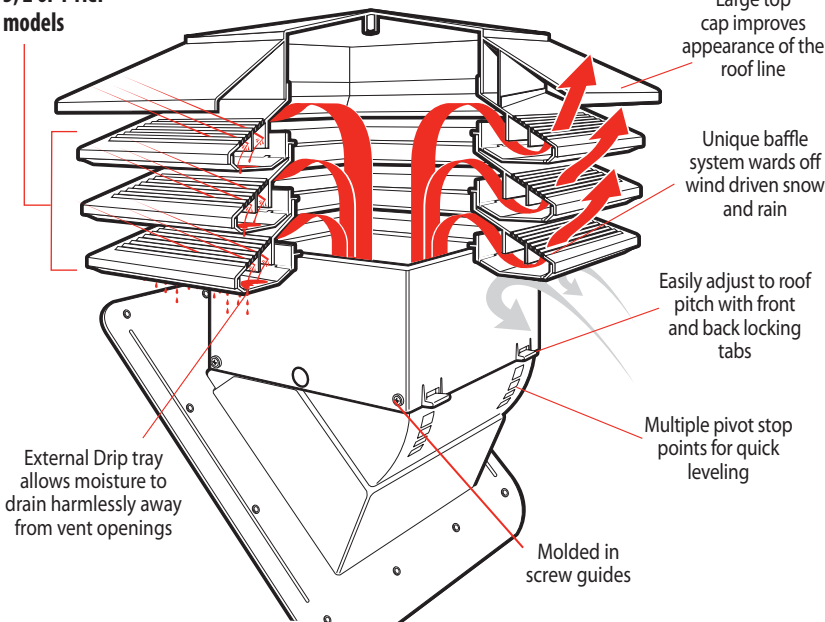
1 Tier #60PRO130

DESCRIPTION	PART #	SIZE - IMPERIAL	SIZE - METRIC
Black	60PRO150BL	21.25" x 21.25" x 22"	540 mm x 540 mm x 559 mm
Brown	60PRO150BR		
Grey	60PRO150G		
Weatherwood	60PRO150WW		

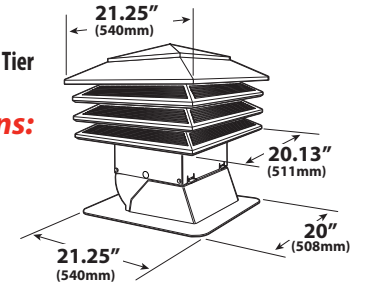
DESCRIPTION	PART #	SIZE - IMPERIAL	SIZE - METRIC
Black	60PRO140BL	21.25" x 21.25" x 19.50"	540 mm x 540 mm x 495 mm
Brown	60PRO140BR		
Grey	60PRO140G		
Weatherwood	60PRO140WW		

DESCRIPTION	PART #	SIZE - IMPERIAL	SIZE - METRIC
Black	60PRO130BL	21.25" x 21.25" x 17"	540 mm x 540 mm x 432 mm
Brown	60PRO130BR		
Grey	60PRO130G		
Weatherwood	60PRO130WW		

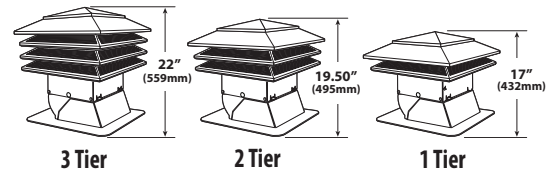
3, 2 or 1 Tier models



3 Tier, 2 Tier & 1 Tier Common Dimensions:



Model Heights:



Net Free Venting Area

3 Tier 60PRO150 Model: 130 sq-in / 839 sq-cm

2 Tier 60PRO140 Model: 95 sq-in / 613 sq-cm

1 Tier 60PRO130 Model: 48 sq-in / 310 sq-cm

Description:

- One 3 Tier Model will ventilate 1000 - 1200 sq. ft. of attic space (approx)
- One 2 Tier Model will ventilate 400 - 500 sq. ft. of attic space (approx)
- One 1 Tier Model will ventilate 200 - 300 sq. ft. of attic space (approx)
- Patented internal weather baffles
- The chimney style design allows the PRO Ventilator to harness wind energy and create pressure variances that powerfully draw air out from within the attic space.
- Roof pitch range 3/12 – 12/12
- Injection molded from pure, high grade polypropylene with premium UV inhibitors
- Lightweight , no-assembly design makes for easy handling. Setting the pitch is quick and simple with centralized pivot points, built-in adjustment tabs and pitch stops.

Standards

- CSA certified - Plastic Type B roof vents, for installation on sloping surfaces
- Category 2 Hurricane Rated



Durability

- Engineered to resist denting, peeling, extreme heat and cold impact to -40

Colors Available

Black, Brown, Weatherwood, Grey

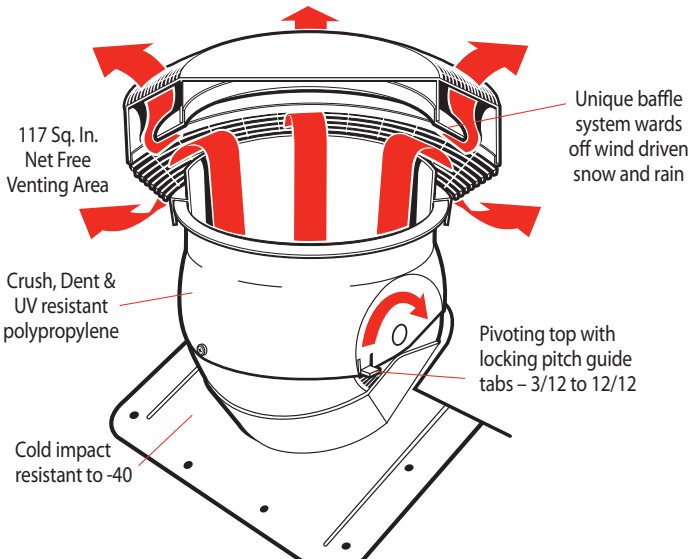
Weather Protection

WeatherPRO's patented internal baffles deflect water and snow, allowing for harmless draining out the drainage openings. Designed to allow high airflow while providing excellent defense against weather infiltration.

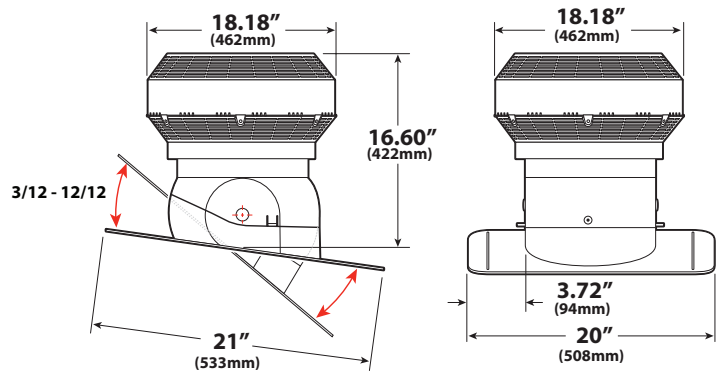
TURBINE VENTS - PROTURBO

Model: WeatherPRO® PROTurbo # 60PRO117

DESCRIPTION	PART #	SIZE	
		IMPERIAL	METRIC
Black	60PRO117BL	18.18" x 20" x 16.60"	462mm x 508mm x 422mm
Brown	60PRO117BR	18.18" x 20" x 16.60"	462mm x 508mm x 422mm
Weatherwood	60PRO117WW	18.18" x 20" x 16.60"	462mm x 508mm x 422mm
Grey	60PRO117G	18.18" x 20" x 16.60"	462mm x 508mm x 422mm



Dimensions:



Net Free Venting Area

117 sq-in / 755 sq-cm

Description:

- No internal or external moving parts – requires no maintenance
- One Turbo will ventilate 1000 sq ft (93 sq. meters) of attic space (approx) – regardless of wind speed
- Roof pitch range from 3/12 to 12/12
- Large flashing allows for easy installation
- Injection molded from pure, high grade polypropylene with premium UV inhibitors
- Available as a full unit (including base) or as replacement top only
- Lightweight , no-assembly design makes for easy handling. Setting the pitch is quick and simple with centralized pivot points, built-in adjustment tabs and pitch stops.

Standards

- CSA certified - Plastic Type B roof vents, for installation on sloping surfaces
- Category 2 Hurricane Rated
- Texas Department of Insurance



TDI
Texas Department of Insurance

Durability

- Engineered to resist denting, peeling, extreme heat and cold impact to -40

Colors Available

Black, Brown, Weatherwood, Grey

Weather Protection

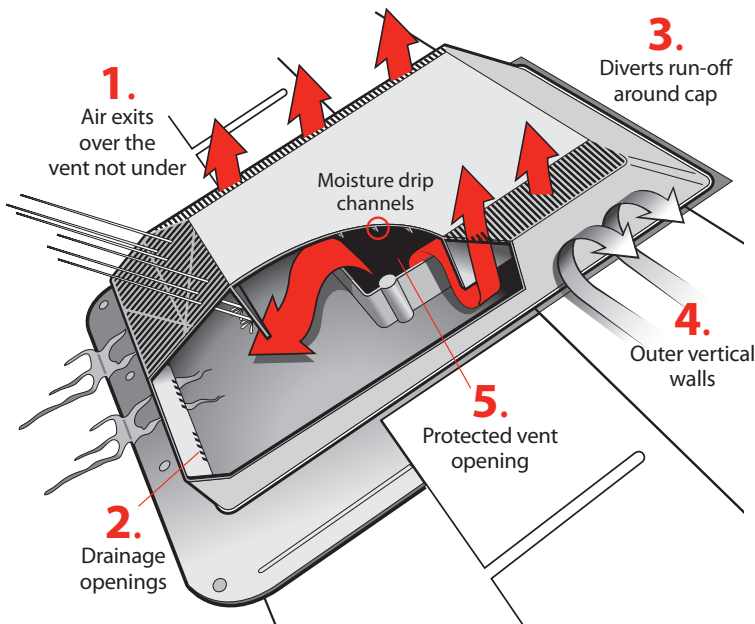
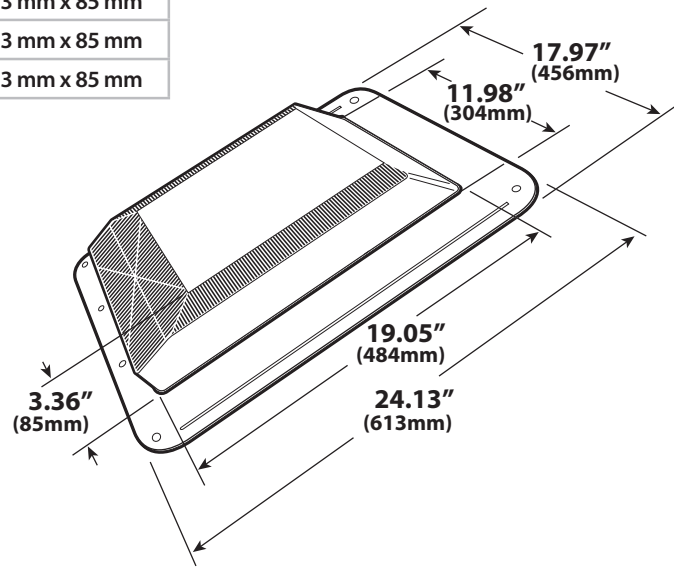
WeatherPRO's patented internal baffles deflect water and snow, allowing for harmless draining out the drainage openings. Designed to allow high airflow while providing excellent defense against weather infiltration.

STATIC VENTS - PROSlantBack

Model: WeatherPRO® SlantBack, # 60PRO50SL

DESCRIPTION	PART #	SIZE	
		IMPERIAL	METRIC
Black	60PRO50SLBL	17.97" x 24.13" x 3.36"	456 mm x 613 mm x 85 mm
Brown	60PRO50SLBR	17.97" x 24.13" x 3.36"	456 mm x 613 mm x 85 mm
Grey	60PRO50SLG	17.97" x 24.13" x 3.36"	456 mm x 613 mm x 85 mm
Weatherwood	60PRO50SLWW	17.97" x 24.13" x 3.36"	456 mm x 613 mm x 85 mm

Dimensions:



Net Free Venting Area

50 sq-in / 322 sq-cm

Description:

- Patented internal weather baffles
- Five PRO SlantBack's will ventilate 1000 sq. ft. (93 sq. meters) of attic space (approx)
- Roof pitch range 3/12 – 14/12
- Injection molded from pure, high grade polypropylene with premium UV inhibitors
- Top venting design uses chimney effect to channel moist air away from roof eliminating shingle staining
- Vent cap design with built in weeping holes eliminates bird nesting and water pooling
- Unique design allows it to be used as an intake where soffit ventilation is limited or not available

Standards

- CSA certified – Plastic Type B roof vents, for installation on sloping surfaces
- Category 2 Hurricane Rated



Durability

- Engineered to resist denting, peeling, extreme heat and cold impact to -40

Colors Available

Black, Brown, Weatherwood, Grey

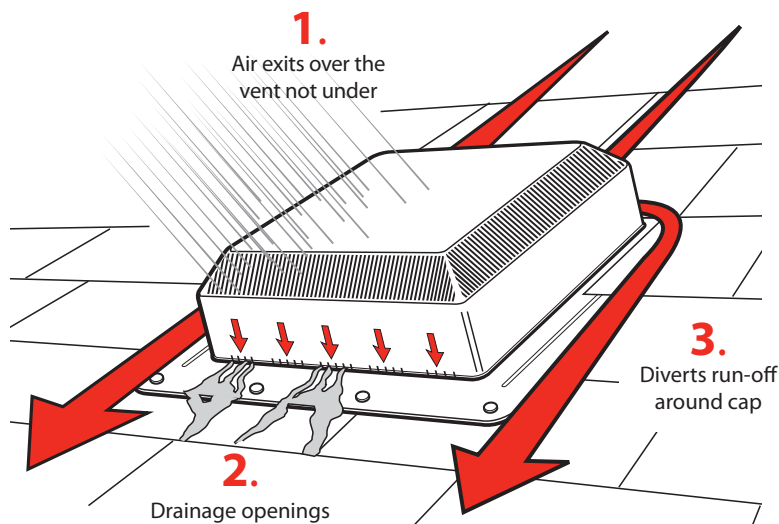
Weather Protection

WeatherPRO's patented internal baffles deflect water and snow, allowing for harmless draining out the drainage openings. Designed to allow high airflow while providing excellent defense against weather infiltration.

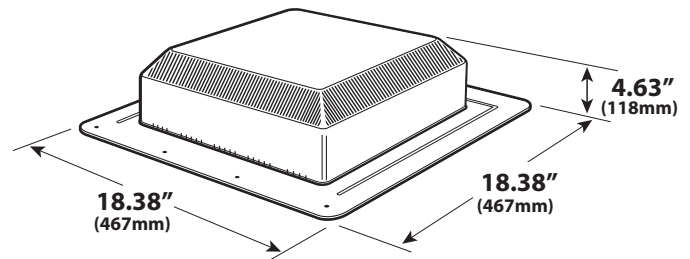
STATIC VENTS - PRO50

Model: WeatherPRO® PRO50, model # 60PRO50

DESCRIPTION	PART #	SIZE	
		IMPERIAL	METRIC
Black	60PRO50BL	18.38" x 18.38" x 4.63"	467 mm x 467 mm x 118 mm
Brown	60PRO50BR	18.38" x 18.38" x 4.63"	467 mm x 467 mm x 118 mm
Grey	60PRO50G	18.38" x 18.38" x 4.63"	467 mm x 467 mm x 118 mm
Weatherwood	60PRO50WW	18.38" x 18.38" x 4.63"	467 mm x 467 mm x 118 mm



Dimensions:



Net Free Venting Area

50 sq-in / 322 sq-cm

Description:

- Patented internal weather baffles
- Five WeatherPRO PRO50's will ventilate 1000 sq. ft. (93 sq. meters) of attic space (approx)
- Roof pitch range 3/12 – 14/12
- Injection molded from pure, high grade polypropylene with premium UV inhibitors
- Top venting design uses chimney effect to channel moist air away from roof eliminating shingle staining
- Vent cap design with built in weeping holes eliminates bird nesting and water pooling

Standards

- CSA certified – Plastic Type B roof vents, for installation on sloping surfaces
- Category 2 Hurricane Rated
- Texas Department of Insurance



TDI
Texas Department of Insurance

Durability

- Engineered to resist denting, peeling, extreme heat and cold impact to -40

Colors Available

Black, Brown, Weatherwood, Grey

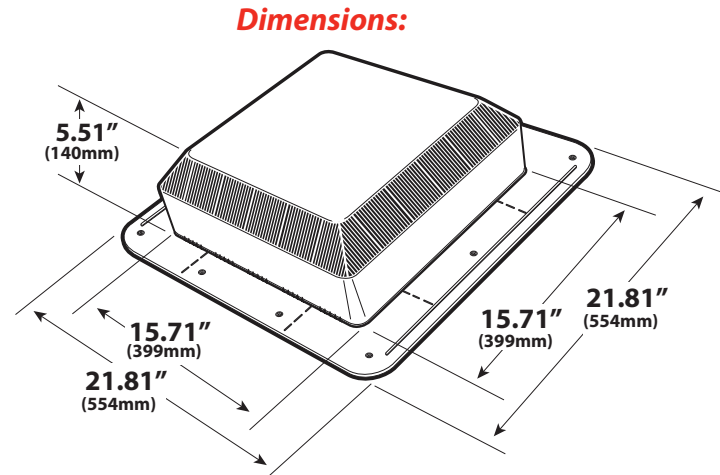
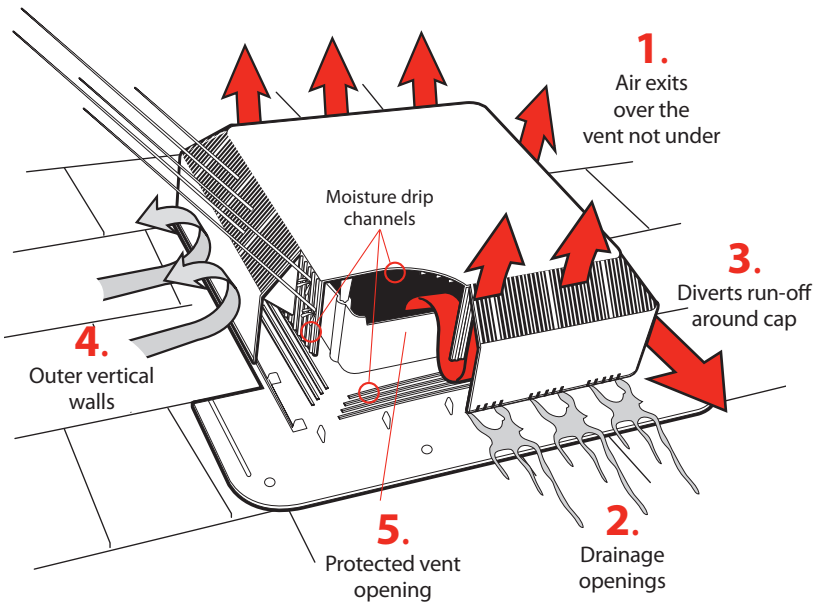
Weather Protection

WeatherPRO's patented internal baffles deflect water and snow, allowing for harmless draining out the drainage openings. Designed to allow high airflow while providing excellent defense against weather infiltration.

STATIC VENTS - PRO75

Model: WeatherPRO® PRO75, model # 60PRO75

DESCRIPTION	PART #	SIZE	
		IMPERIAL	METRIC
Black	60PRO75BL	21.81" x 21.81" x 5.51"	555 mm x 554 mm x 140 mm
Brown	60PRO75BR	21.81" x 21.81" x 5.51"	555 mm x 554 mm x 140 mm
Grey	60PRO75G	21.81" x 21.81" x 5.51"	555 mm x 554 mm x 140 mm
Weatherwood	60PRO75WW	21.81" x 21.81" x 5.51"	555 mm x 554 mm x 140 mm



Net Free Venting Area

75 sq-in / 483 sq-cm

Description:

- Patented internal weather baffles
- Four PRO75's will ventilate 1000 sq ft (93 sq. meters) of attic space (approx)
- Roof pitch range 3/12 – 14/12
- Injection molded from pure, high grade polypropylene with premium UV inhibitors
- Top venting design uses chimney effect to channel moist air away from roof eliminating shingle staining
- Vent cap design with built in weeping holes eliminates bird nesting and water pooling

Standards

- CSA certified - Plastic Type B roof vents, for installation on sloping surfaces



Durability

- Engineered to resist denting, peeling, extreme heat and cold impact to -40

Colors Available

Black, Brown, Weatherwood, Grey

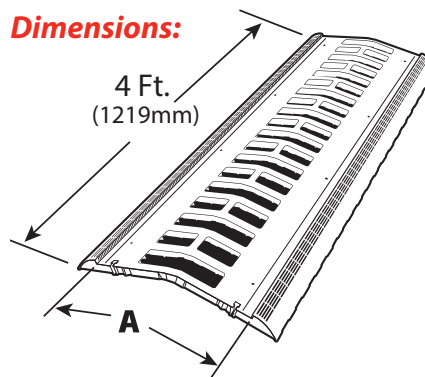
Weather Protection

WeatherPRO's patented internal baffles deflect water and snow, allowing for harmless draining out the drainage openings. Designed to allow high airflow while providing excellent defense against weather infiltration.

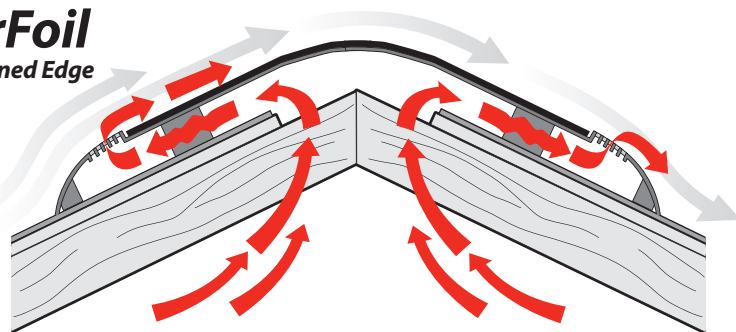
CONTINUOUS RIDGE VENTS - WeatherPRO® Ridge

Models: WeatherPRO PRORidge, • Metric - 6072MET • Imperial - 6073

DESCRIPTION	PART #	A	
		IMPERIAL	METRIC
Metric - Black	6072METBL	12.88"	327mm
Metric - Brown	6072METBR	12.88"	327mm
Metric - Weatherwood	6072METWW	12.88"	327mm
Imperial - Black	6073BL	11.66"	296mm
Imperial - Brown	6073BR	11.66"	296mm
Imperial - Weatherwood	6073WW	11.66"	296mm



AirFoil Designed Edge



Net Free Venting Area

18.3 sq-in per linear foot (387 sq-cm per linear meter)

Description:

- Engineered with AirFoil Technology – based on the Bernoulli principle to maximize air lift
- Four pieces of WeatherPRO® PRORidge vent will ventilate 1000 sq. ft. (93 sq. meters) of attic space (approx)
- Patented internal weather baffle system
- Roof pitch range 3/12 – 12/12
- 4 foot sections, 12 pieces per carton
- Latch connectors on each end, built-in end caps every 3 in/7.6 cm
- Injection molded from pure, high grade polypropylene with premium UV inhibitors
- Available for use with either Metric or Imperial size shingles

Standards

- CSA certified - Plastic Type C ridge vent, for installation on roof ridge
- Texas Department of Insurance



Durability

- Engineered to resist denting, peeling, extreme heat and cold impact to -40

Colors Available

Black, Brown, Weatherwood

Weather Protection

WeatherPRO's patented internal baffles deflect water and snow, allowing for harmless draining out the drainage openings. Designed to allow high airflow while providing excellent defense against weather infiltration.

Exhaust Vents - Gooseneck Bathroom / Rangehood exhaust

Model 60PRO30:

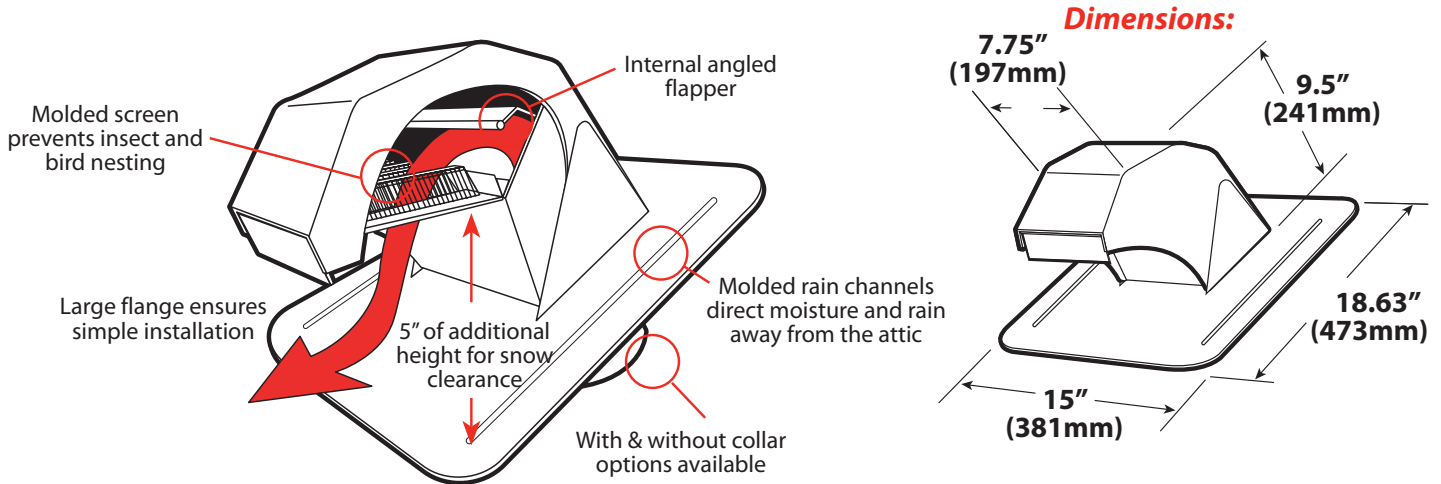
GOOSENECK Bathroom Exhaust Vent - With Collar
Can be used with standard rangehood fans

DESCRIPTION	PART #	SIZE	
		IMPERIAL	METRIC
Black	60PRO30BL	15" x 18.63" x 9.5"	381 mm x 473 mm x 241 mm
Brown	60PRO30BR	15" x 18.63" x 9.5"	381 mm x 473 mm x 241 mm
Grey	60PRO30G	15" x 18.63" x 9.5"	381 mm x 473 mm x 241 mm
Weatherwood	60PRO30WW	15" x 18.63" x 9.5"	381 mm x 473 mm x 241 mm

Model 60PRO31:

GOOSENECK Bathroom Exhaust Vent - Without Collar
Can be used with standard rangehood fans

DESCRIPTION	PART #	SIZE	
		IMPERIAL	METRIC
Black	60PRO31BL	15" x 18.63" x 9.5"	381 mm x 473 mm x 241 mm
Brown	60PRO31BR	15" x 18.63" x 9.5"	381 mm x 473 mm x 241 mm
Grey	60PRO31G	15" x 18.63" x 9.5"	381 mm x 473 mm x 241 mm
Weatherwood	60PRO31WW	15" x 18.63" x 9.5"	381 mm x 473 mm x 241 mm



CFM - Cubic Feet Per Minute

350 + CFM

Description:

- For high performance bathroom fans and standard rangehood fans
- Weather protection with 5" of additional height for snow clearance
- Flapper can still open with low performance bath fans
- Attaches to 4", 5" or 6" duct
- Additional collar available which fits a 6", 7" or 8" duct
- 20 sq. in. of net free area if used as an intake vent (remove flapper)

Standards

- CSA certified



Durability

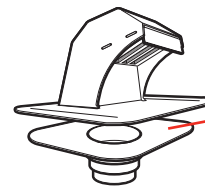
- Engineered to resist denting, peeling, extreme heat and cold impact to -40

Colors Available

Black, Brown, Weatherwood, Grey

Weather Protection

Patented design adds additional weather - protection, directs and deflects precipitation away from vent openings



60PRO30

With Collar

Accepts 4", 5" and 6" duct



60PRO31

Without Collar



6030-4BC

GOOSENECK VENT
ADAPTER COLLAR 4", 5", 6"

DESC.	PART #	SIZE	
		IMPERIAL	METRIC
Black	6030-4BC	14" x 14" x 4.5"	356 mm x 356 mm x 114 mm

Exhaust Vents - Gooseneck Roof Dryer Exhaust Vent

Model 6032:

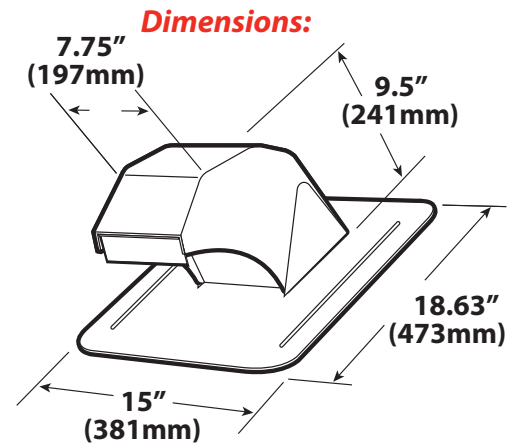
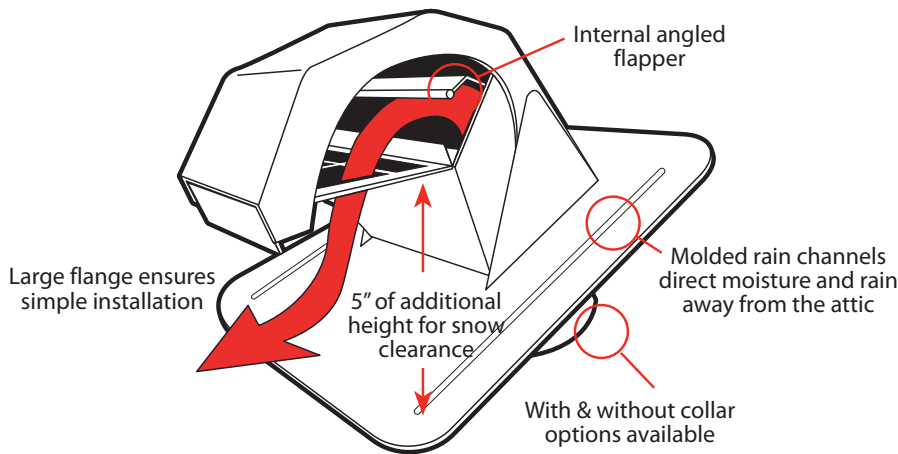
GOOSENECK Roof Dryer Exhaust Vent
- With Collar

DESCRIPTION	PART #	SIZE	
		IMPERIAL	METRIC
Black	6032BL	15" x 18.63" x 9.5"	381 mm x 473 mm x 241 mm
Brown	6032BR	15" x 18.63" x 9.5"	381 mm x 473 mm x 241 mm
Grey	6032G	15" x 18.63" x 9.5"	381 mm x 473 mm x 241 mm
Weatherwood	6032WW	15" x 18.63" x 9.5"	381 mm x 473 mm x 241 mm

Model 6033:

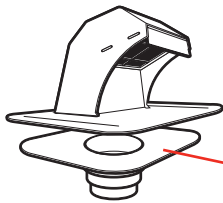
GOOSENECK Roof Dryer Exhaust Vent
- Without Collar

DESCRIPTION	PART #	SIZE	
		IMPERIAL	METRIC
Black	6033BL	15" x 18.63" x 9.5"	381 mm x 473 mm x 241 mm
Brown	6033BR	15" x 18.63" x 9.5"	381 mm x 473 mm x 241 mm
Grey	6033G	15" x 18.63" x 9.5"	381 mm x 473 mm x 241 mm
Weatherwood	6033WW	15" x 18.63" x 9.5"	381 mm x 473 mm x 241 mm

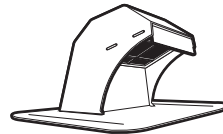


Description:

- Ideal for condominiums, townhouses, apartment buildings and homes with an upstairs laundry room
- Weather protection with 5" of additional height for snow clearance
- Attaches to 4", 5" or 6" duct
- Additional collar available which fits a 6", 7" or 8" duct



6032
With Collar
Accepts 4", 5"
and 6" duct



6033
Without Collar



6030-4BC
GOOSENECK VENT
ADAPTER COLLAR 4", 5", 6"

DESC.	PART #	SIZE	
		IMPERIAL	METRIC
Black	6030-4BC	14" x 14" x 4.5"	356 mm x 356 mm x 114 mm

Durability

- Engineered to resist denting, peeling, extreme heat and cold impact to -40

Colors Available

Black, Brown, Weatherwood, Grey

Weather Protection

Patented design adds additional weather protection, directs and deflects precipitation away from vent openings

Ventilation Calculator

duraflo[®] Ventilation Calculator

A home requires an equal amount of intake (soffit) & exhaust (roof) ventilation.

Note: Roof pitches under 4/12 require double the amount of ventilation.
Use this chart to determine how many vents your attic requires.

Ventilation requirements for your home

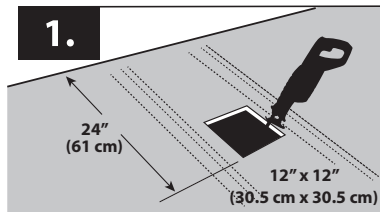
DESCRIPTION	NET FREE AREA OF VENT		NUMBER OF VENTS NEEDED FOR			
			1000 sq. ft. (93 sq. meters)	1500 sq. ft. (139 sq. meters)	2000 sq. ft. (186 sq. meters)	2500 sq. ft. (232 sq. meters)
	IMPERIAL	METRIC	OF ATTIC SPACE			
3 TIER WEATHERPRO PROVENTILATOR	130 Sq. In.	839 Sq. cm	1	2	3	4
2 TIER WEATHERPRO PROVENTILATOR	95 Sq. In.	613 Sq. cm	2	3	4	5
1 TIER WEATHERPRO PROVENTILATOR	48 Sq. In.	310 Sq. cm	4	6	8	10
WEATHERPRO TURBO	117 Sq. In.	755 Sq. cm	1	2	3	4
WEATHERPRO SLANT BACK	50 Sq. In.	322 Sq. cm	5	8	10	12
WEATHERPRO 60PRO50	50 Sq. In.	322 Sq. cm	5	8	10	12
WEATHERPRO 60PRO75	75 Sq. In.	484 Sq. cm	4	5	7	8
WEATHERPRO RIDGE VENTS	72 Sq. In.	465 Sq. cm	4	5	7	10

The included ventilation calculator is only a guide, please consult your local building code for specific ventilation requirements.

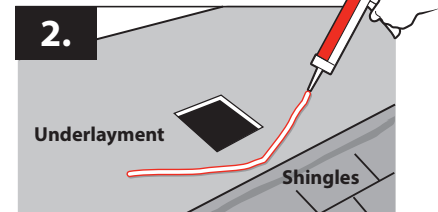
INSTALLATION - PROVentilator, 1, 2 & 3 Tier Models

For New Construction

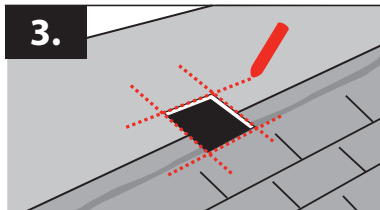
Note: **PROVentilator** placement and the balancing of intake and exhaust venting are extremely important in achieving ideal ventilator performance.



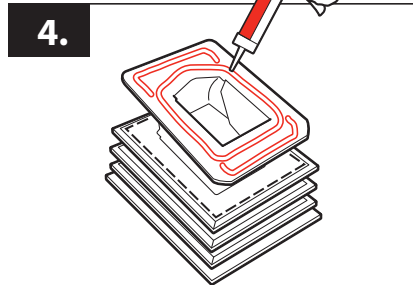
1. Apply underlayment on the sheathing and in the center of the rafters cut a 12" (30.5 cm) square hole. The edge of the hole should be at least 12" (30.5 cm) and no more than 24" (61 cm) from the roof peak.



2. Using a 1/2" (1.3 cm) bead, apply a generous amount of construction sealant to the underlayment in front of hole before applying next shingle course.

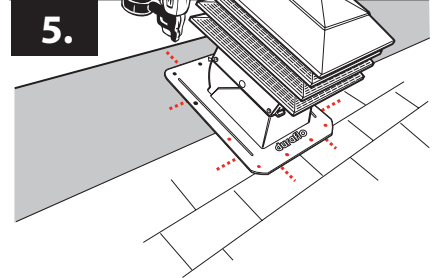


3. Install next shingle course over sealant bead and mark extended chalk lines to help position vent over opening in next step.

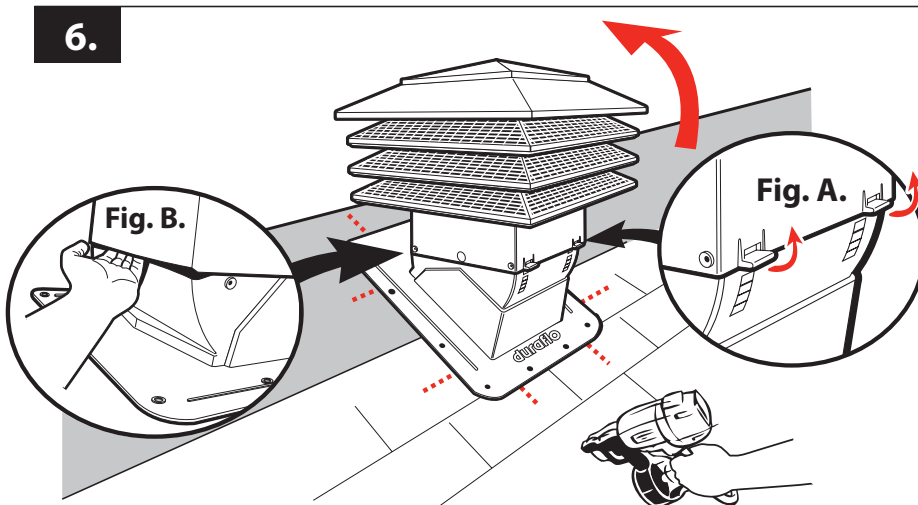


4. Using a 1/2" (1.3 cm) bead, apply a generous amount of construction sealant to the base of the vent.

Note: Use non-petroleum based sealants only. The use of petroleum based sealants may void any manufactures product warranty.

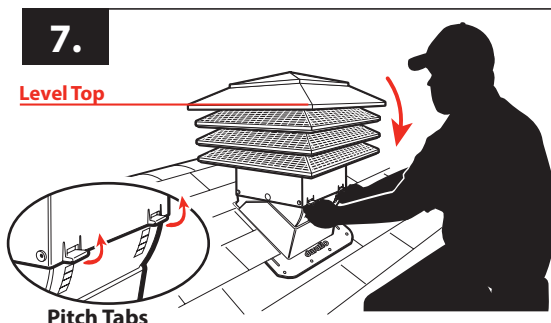


5. Position the roof vent over the cut opening in the roof. Center the vent by aligning edges of the vent throat with the chalk lines previously marked. Using the molded nail indicators, nail the top half of the vent securely into place.



6. Gently lift the pitch calculating tabs (Fig. A.), rotating the top of the unit up to make room for nailing the bottom half of the flange (Note: Ensure the vent throat overlaps (Fig B.)). Using the molded nail indicators, nail the remainder of the vent securely into place.

Note: For added protection against weather infiltration seal any exposed nail heads.

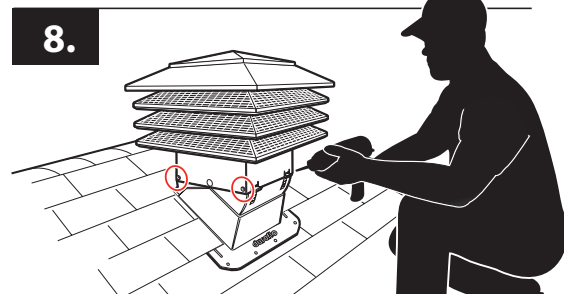


7.

Level Top

Pitch Tabs

7. Using the pitch tabs lower the top of the unit back to desired pitch. **Ensure the top of the unit is level.**



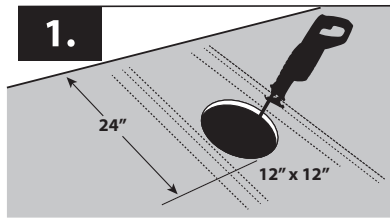
8.

8. Using the 4 screws supplied, secure vent into position as shown.

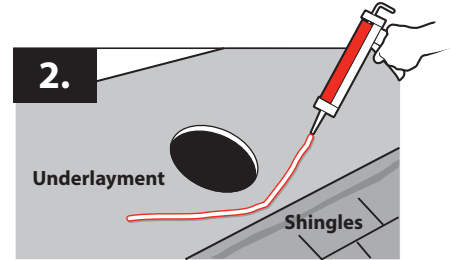
INSTALLATION - PROTurbo

For New Construction

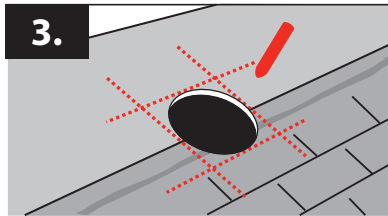
Installation of Duraflo® WeatherPRO® PROTurbo should comply with all local standards and regulations. Before beginning a job, determine how much ventilation is required in both soffit and roof vents and what sizes of vent would best suit the job. If required, refer to Duraflo® Ventilation Calculator for guidance.



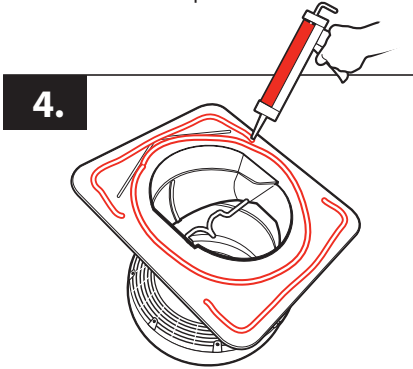
1. Apply underlayment on the sheathing and in the center of the rafters cut a 12" round hole. The edge of the hole should be at least 12" and no more than 24" from the roof peak.



2. Using a 1/2 inch bead, apply a generous amount of construction sealant to the underlayment in front of hole before applying next shingle course.

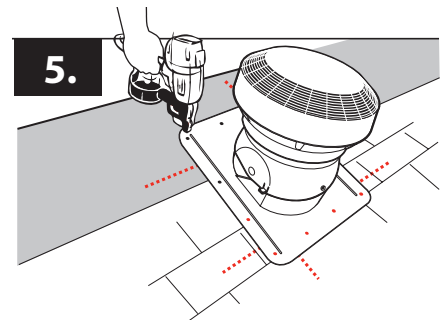


3. Install next shingle course over sealant bead and mark extended chalk lines to help position vent over opening in next step.

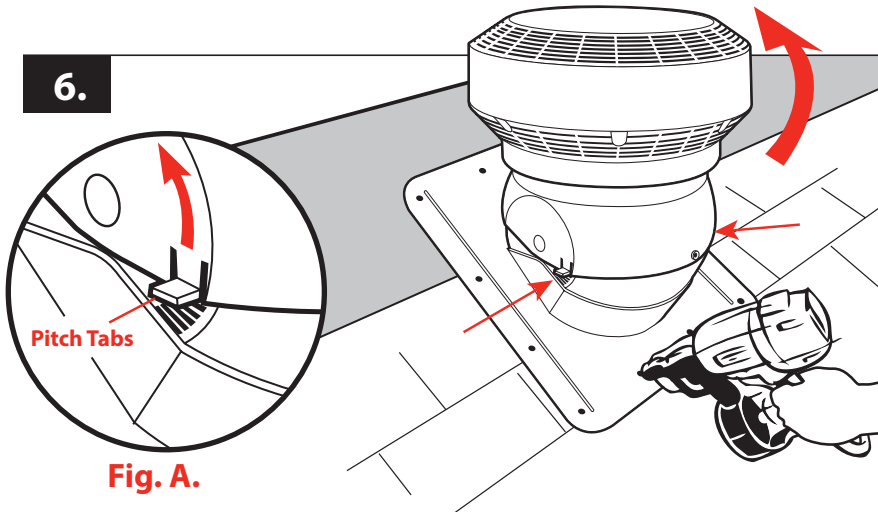


4. Using a 1/2 inch bead, apply a generous amount of construction sealant to the base of the vent.

Note: Use non-petroleum based sealants only. The use of petroleum based sealants may void any manufactures product warranty.

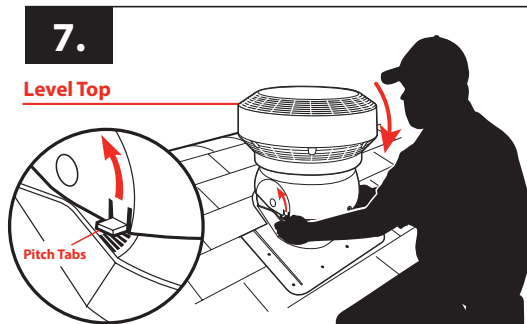
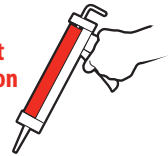


5. Position the roof vent over the cut opening in the roof. Center the vent by aligning edges of the vent throat with the chalk lines previously marked. Using the molded nail indicators, nail the top half of the vent securely into place.

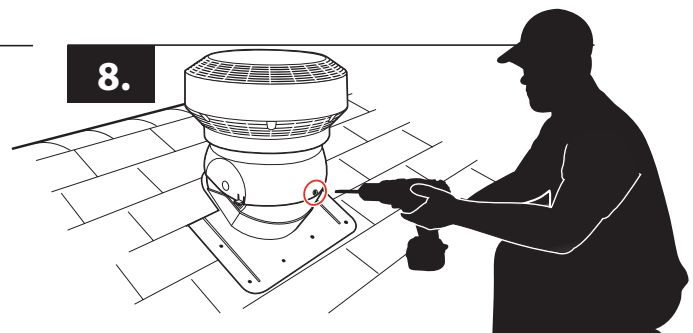


6. Gently lift the pitch calculating tabs (Fig A.), pivoting the top of the unit up to and nail the bottom half of the flange.

Note: For added protection against weather infiltration seal any exposed nail heads.



7. Using the pitch tabs pivot the top of the unit to desired pitch. **Ensure the top of the unit is level.**



8. Using the molded in screw guide in front of vent, secure vent into position as shown with 1 screw supplied.

INSTALLATION - PRO SlantBack

Installation of Duraflo® **WeatherPRO® SlantBack Vent** should comply with all local standards and regulations. Before beginning a job, determine how much ventilation is required in both soffit and roof vents and what sizes of vent would best suit the job. If required, refer to Duraflo® Ventilation Calculator for guidance.

For New Construction or Re-Roofing

1. Determine the location of vents:

Evenly space the roof vents along the width of the roof, marking the location of all roof vents before cutting holes. Centre the holes between the rafters within two feet (24") (61 cm) from the peak of the roof.

Cut and prepare the opening:

Cut the holes in the sheathing before applying shingles, cut a 6-1/2" x 8-1/2" (16.5 cm x 21.6 cm) opening. Shingle up until the first full course of shingles covers the bottom of the hole. Cut the excess shingles away from the hole.

2. Position the vent and nail the vent in place:

Duraflo® Roof Vents have a top arrow indicator. Make sure the throat of the vent is in the proper position centered over the opening. Using the pre-marked nail holes, nail the vent securely into place.

3. Complete the shingle installation:

Continue installing shingles, overlapping the flange of the vent. Cut the shingles around the top of the vent to match its shape.

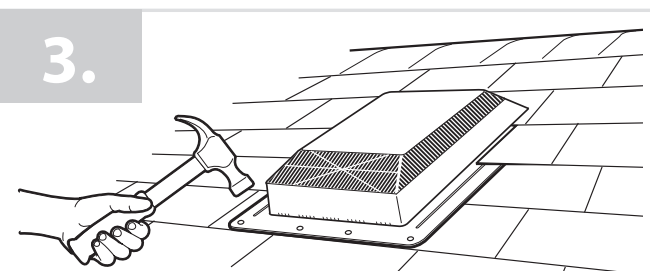
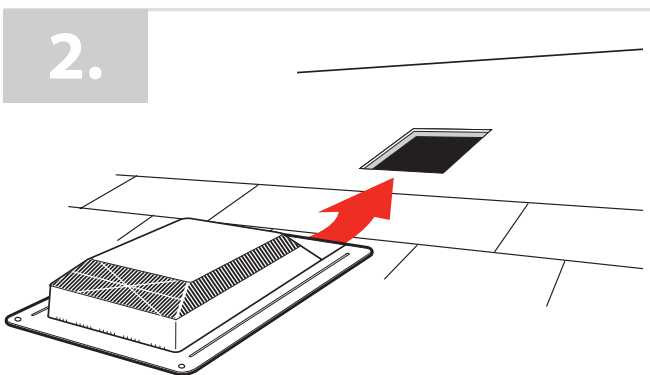
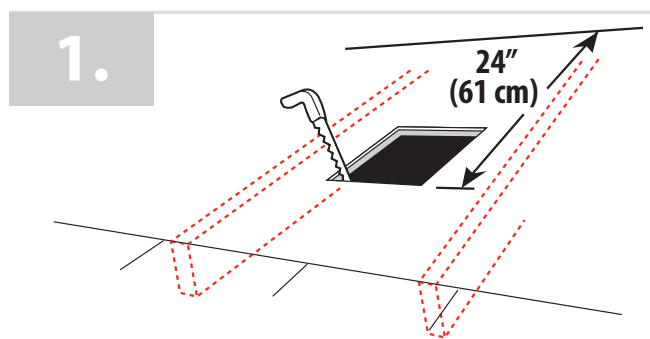
Caution: DO NOT USE roofing cement / roofing tar to seal the vent to the roof. The wide flange and molded-in water guards will force the water down the roof over the shingles. The polypropylene flange is large enough and flexible enough to effectively self seal against the roof without the aid of roofing tars. Roofing tars are potentially damaging to the roof vent and the asphalt shingles. Use of roofing tar will void any warranty on the Duraflo® Roof Vents. Optional: Seal all nail heads with an approved sealant, such as silicone. Make sure the sealant is a non-petroleum product (usually available in a plastic tube).

6-1/2"
(16.5 cm)



8-1/2"
(21.6 cm)

Rough Cut Opening



INSTALLATION - PRO50 & PRO75

Installation of Duraflo® *WeatherPRO® PRO50 or PRO75 Roof Vent* should comply with all local standards and regulations. Before beginning a job, determine how much ventilation is required in both soffit and roof vents and what sizes of vent would best suit the job. If required, refer to Duraflo® Ventilation Calculator for guidance.

For New Construction or Re-Roofing

1. Determine the location of vents:

Evenly space the roof vents along the width of the roof, marking the location of all roof vents before cutting holes. Centre the holes between the rafters within two feet (24") (61 cm) from the peak of the roof.

Cut and prepare the opening:

Cut the holes in the sheathing before applying shingles, for PRO50 cut a 7.10" x 7.21" (18 cm x 18.3 cm) opening, for the PRO75 cut a 9.5" x 9.5" (24 cm x 24 cm) opening. Shingle up until the first full course of shingles covers the bottom of the hole. Cut the excess shingles away from the hole.

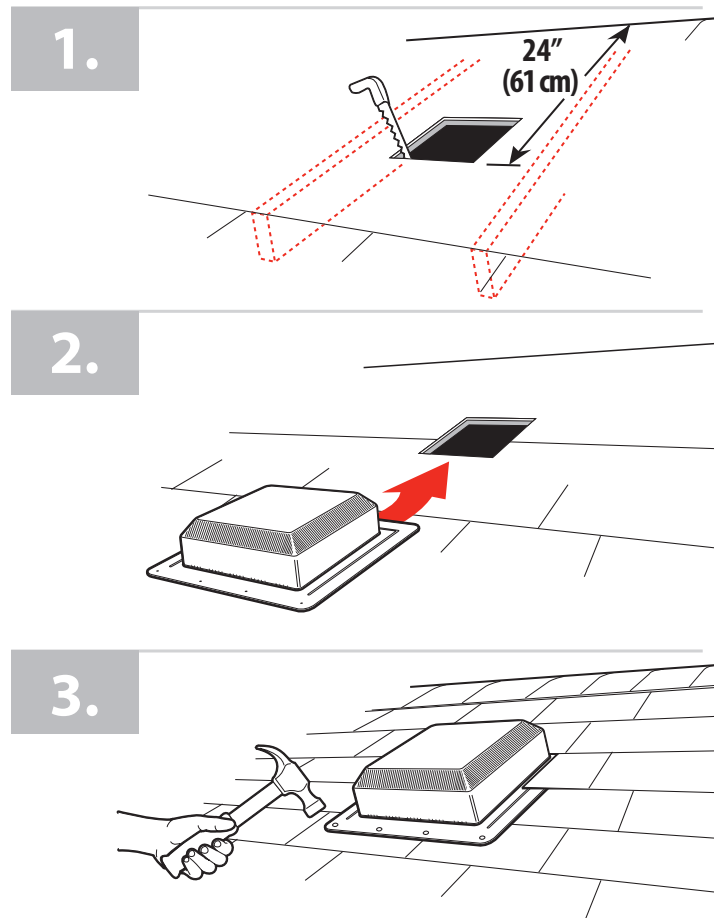
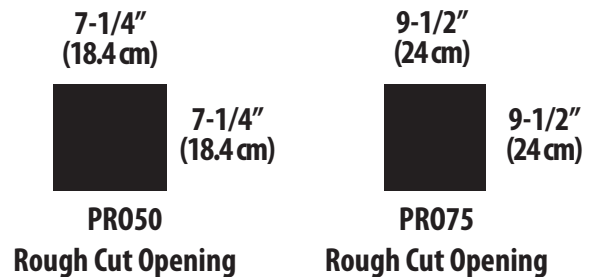
2. Position the vent and nail the vent in place:

Duraflo® Roof Vents have a top arrow indicator. Make sure the throat of the vent is in the proper position centered over the opening. Using the pre-marked nail holes, nail the vent securely into place.

3. Complete the shingle installation:

Continue installing shingles, overlapping the flange of the vent. Cut the shingles around the top of the vent to match its shape.

Caution: DO NOT USE roofing cement / roofing tar to seal the vent to the roof. The wide flange and molded-in water guards will force the water down the roof over the shingles. The polypropylene flange is large enough and flexible enough to effectively self seal against the roof without the aid of roofing tars. Roofing tars are potentially damaging to the roof vent and the asphalt shingles. Use of roofing tar will void any warranty on the Duraflo® Roof Vents. Optional: Seal all nail heads with an approved sealant, such as silicone. Make sure the sealant is a non-petroleum product (usually available in a plastic tube).



INSTALLATION - WeatherPRO® RIDGE VENT

Installation of Duraflo® **WeatherPRO® PRORidge Vent** should comply with all local standards and regulations. Before beginning a job, determine how much ventilation is required in both soffit and roof vents and what sizes of vent would best suit the job. If required, refer to Duraflo Ventilation Calculator for guidance.

For New Construction or Re-Roofing

Step 1.

Cut a slot in sheathing along the ridge 2" (5 cm) wide 1" (2.5 cm) on each side of peak).

If ridge beam is present, cut a slot 1" (2.5 cm) wide on each side of the beam. A closed area of sheathing 12" (30.5 cm) in length should be at both ends of ridge. The 12" (30.5cm) area should be covered to prevent infiltration.

Step 2.

For step 2 it is recommended a chalk line be used to ensure the ridge vent is installed straight along the roof peak.

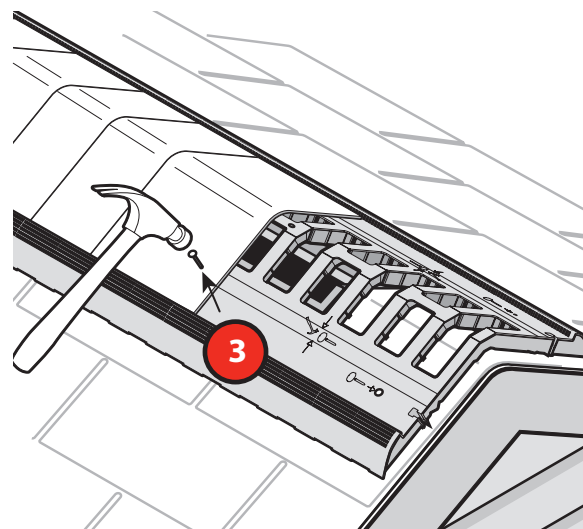
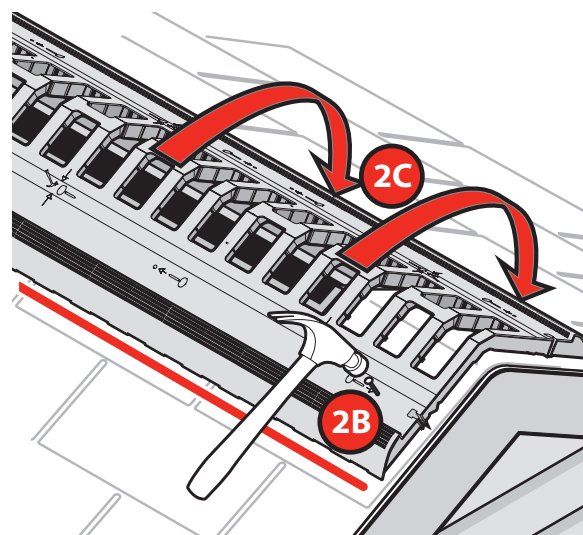
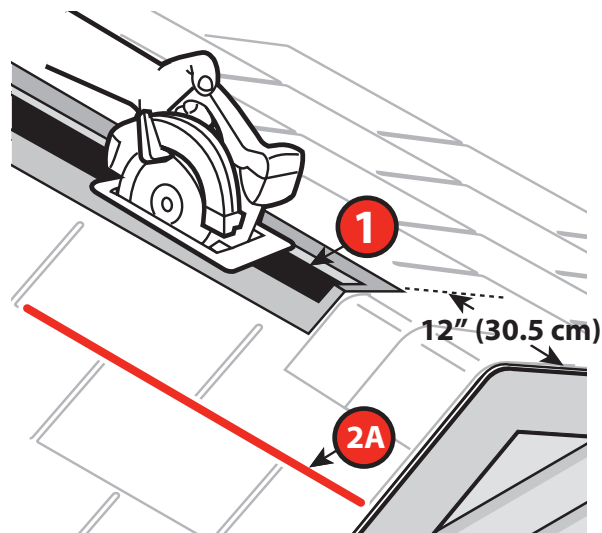
Place the first piece of vent with female end 1/2" (1.3 cm) from the gable end. On one side of the peak fasten the first piece using nails at each end and in middle sections. Fold the vent over the peak and fasten the second side using the same nail pattern. (2" (5 cm) nails are minimum length). Continue installing additional pieces along ridge connecting the female end over the male end.

Step 3.

When reaching the ridge end, the last vent section may need to be cut to length. There are molded-in end caps every 3" (7.6 cm) on the underside of the ridge vent. Measure and cut amount needed to install to within 1/2" (1.3 cm) of ridge end.

After fastening the ridge vent to the roof peak install ridge caps using a min 2" (5 cm) nail. The ridge caps should be centered on the vent and sit between the outer raised baffle walls.

Caution: DO NOT USE roofing cement /roofing tar to seal the vent to the roof. Roofing tars are potentially damaging to the roof vent and the asphalt shingles. Use of roofing tar will void any warranty on the Duraflo Roof Vents. Optional: Seal all nail heads with a non-petroleum based sealant product.



INSTALLATION - WeatherPRO® GOOSENECK Exhaust Vent

Installation of the *Duraflo Exhaust Vent* should comply with all local standards and regulations. Before beginning a job, determine the CFM requirement of the exhaust fan and the size of vent that would best suit the job.

For New Construction or Re-Roofing

1. Determine the location of vents:

Place the exhaust vent in a location that will allow for the connection of the vent pipe, marking the desired location of the exhaust vent before cutting holes. Centre the hole between the rafters.

Cut and prepare the opening:

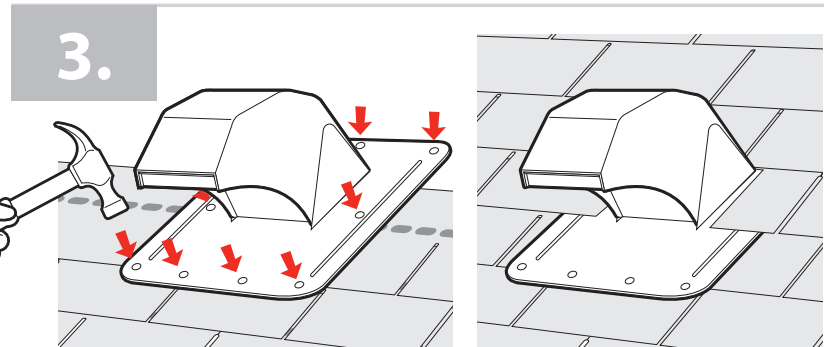
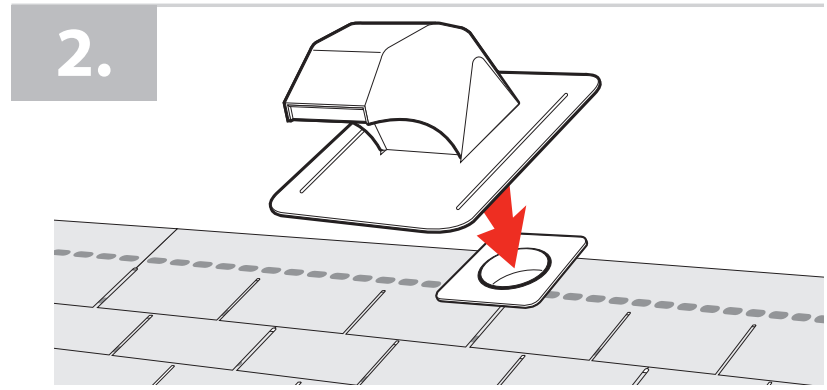
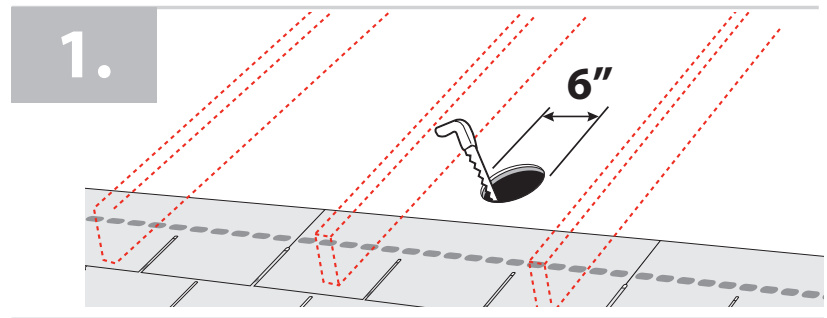
Cut the hole in the sheathing before applying shingles. Shingle up until the first full course of shingles covers the bottom of the hole. Cut the excess shingles away from the hole.

2. Position the vent:

Duraflo Exhaust Vents should be placed so that the vent grill openings face the eave of the roof. Make sure the throat of the vent is in the proper position centered over the opening. When using the adaptor collar determine the pipe size to be attached and cut away smaller size rings as required. If the adaptor collar is unattached, centre and secure the collar over opening prior to installing the exhaust vent.

3. Complete installation:

Continue installing shingles, overlapping the flange of the vent. Cut the shingles around the top of the vent to match its shape. The shingles should overlap the top half of the vent flange. The bottom half of the vent's flange will be exposed on top of the shingles. **Please Read Caution Below.**



Caution: DO NOT USE roofing cement /roofing tar to seal the vent to the roof. The wide flange and molded-in water guards will force the water down the roof over the shingles. The polypropylene flange is large enough and flexible enough to effectively self seal against the roof without the aid of roofing tars. Roofing tars are potentially damaging to the roof vent and the asphalt shingles. Use of roofing tar will void any warranty on the Duraflo® Roof Vents. Optional: Seal all nail heads with an approved sealant, such as silicone. Make sure the sealant is a non-petroleum product (usually available in a plastic tube).

INSTALLATION - Gooseneck Roof Dryer Exhaust Vent

Installation of the **Duraflo Exhaust Vent** should comply with all local standards and regulations.

For New Construction or Re-Roofing

1. Determine the location of vent:

Place the exhaust vent in a location that will allow for the connection of the vent pipe, marking the desired location of the exhaust vent before cutting holes. Centre the hole between the rafters.

Cut and prepare the opening:

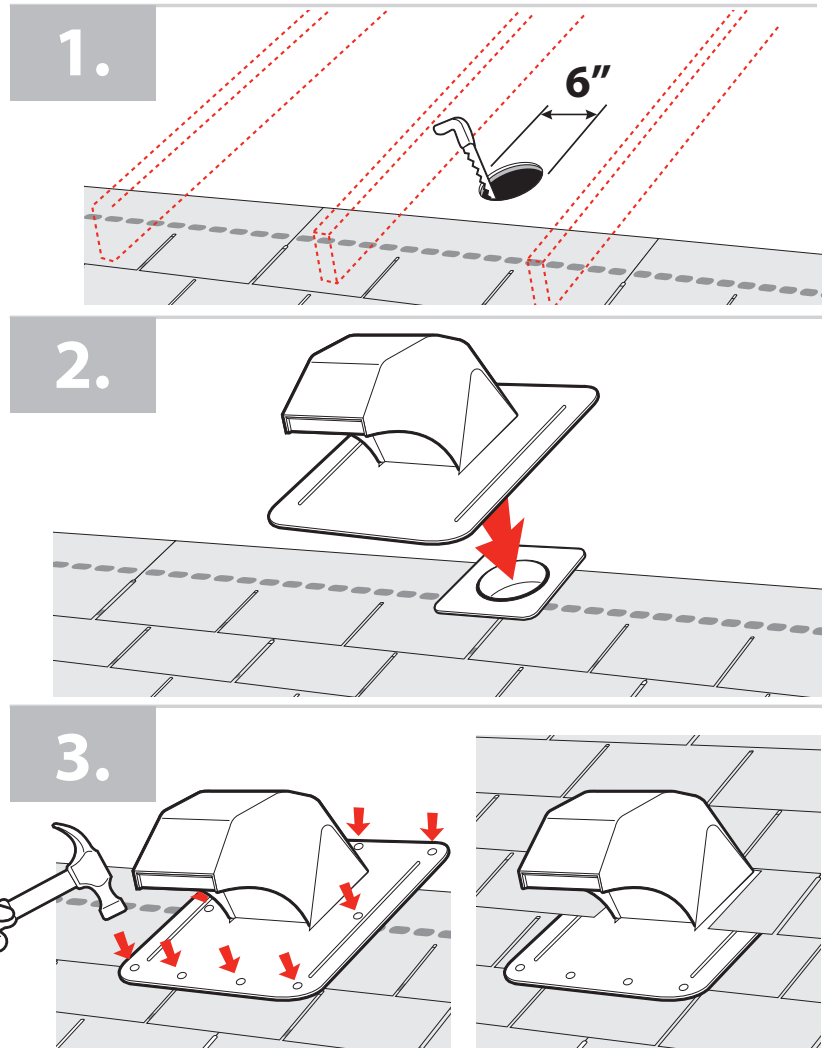
Cut the hole in the sheathing before applying shingles. Shingle up until the first full course of shingles covers the bottom of the hole. Cut the excess shingles away from the hole.

2. Position the vent:

Duraflo Exhaust Vents should be placed so that the vent grill openings face the eave of the roof. Make sure the throat of the vent is in the proper position centered over the opening. When using the adaptor collar determine the pipe size to be attached and cut away smaller size rings as required. If the adaptor collar is unattached, centre and secure the collar over opening prior to installing the exhaust vent.

3. Complete installation:

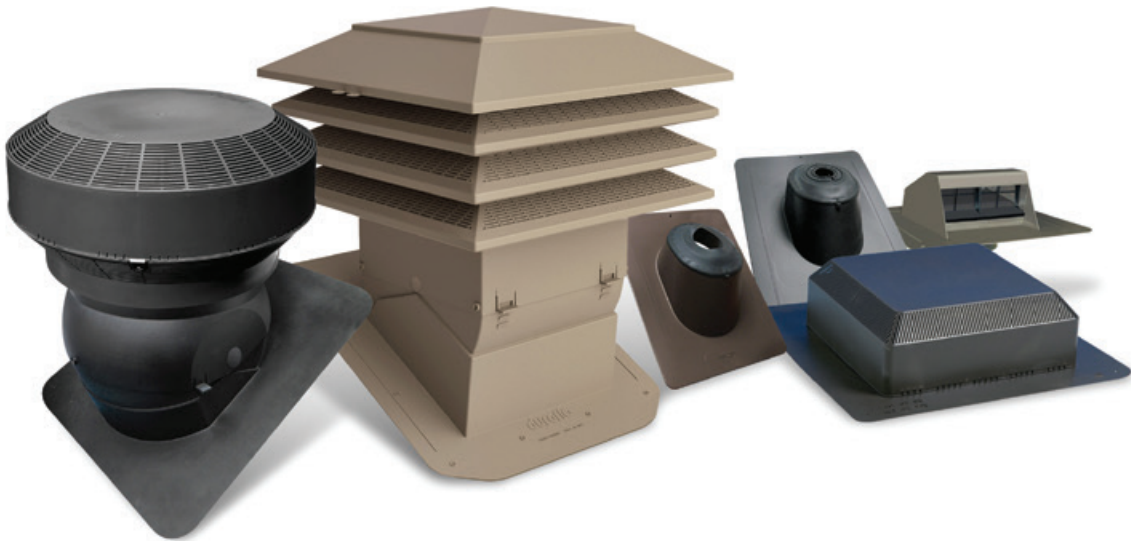
Continue installing shingles, overlapping the flange of the vent. Cut the shingles around the top of the vent to match its shape. The shingles should overlap the top half of the vent flange. The bottom half of the vent's flange will be exposed on top of the shingles. **Please Read Caution Below.**



Caution: DO NOT USE roofing cement /roofing tar to seal the vent to the roof. The wide flange and molded-in water guards will force the water down the roof over the shingles. The polypropylene flange is large enough and flexible enough to effectively self seal against the roof without the aid of roofing tars. Roofing tars are potentially damaging to the roof vent and the asphalt shingles. Use of roofing tar will void any warranty on the Duraflo® Roof Vents. Optional: Seal all nail heads with an approved sealant, such as silicone. Make sure the sealant is a non-petroleum product (usually available in a plastic tube).

duraflo®

WE KNOW VENTILATION



Duraflo® Roofs Vents are manufactured in a ISO 9001 and 14001 registered facility. Our quality management system has been registered for the design, manufacture and distribution of high quality injection molded products used in plumbing, industrial, ventilation and central vacuum applications.

duraflo®
WE KNOW VENTILATION



Eastern U.S. Customers

Tel: (289) 881-0120
Toll Free: 1-800-463-9572
Fax: (905) 844-0826

Western U.S. Customers

Tel: (303) 373-1918
Toll Free: 1-888-461-5307
Fax: (303) 373-1923

www.ipexna.com | sales@ipexamerica.com