



SYSTEM 1738®

Venting. ReInvented.™

Historically, the plumbing and HVAC industry has not nationally regulated the use of thermoplastic Flue Gas Venting pipe, fittings, and accessories.

The safety concern is in the use of plumbing Drain, Waste and Vent (DWV) products, such as Schedule 40 Solid Wall and Foam Core DWV in Flue Gas Venting (FGV). These products were never intended to be used in FGV applications, but they have been chosen because they are often the least expensive materials available.

The use of Schedule 40 Solid Wall or Foam Core DWV pipe and fittings do **NOT** meet the UL 1738 safety standard for venting one of the most dangerous and silent killers: carbon monoxide.

THE CODE CHANGE AND BETTER VENTING OPTION

The use of plastic venting systems on gas fired water heaters, furnaces and boilers has undergone a significant change. The NFPA 54-18 and IFGC-18 Fuel Gas Codes now recognizes the UL 1738 venting standard across the United States.

MEETING STANDARDS

System 1738® is the first engineered PVC venting system certified to UL 1738. It offers a complete certified system of pipe, fittings and cement meeting the stringent demands of the UL 1738 venting standard.

THE UL 1738 STANDARD ENSURES

- Pipe, fittings, and cement compatibility
- Products are tested and certified for the application
- Easy identification of UL 1738 certified venting system components
- Certified installation instructions including support spacing, solvent welding, and maintenance
- Single source product support

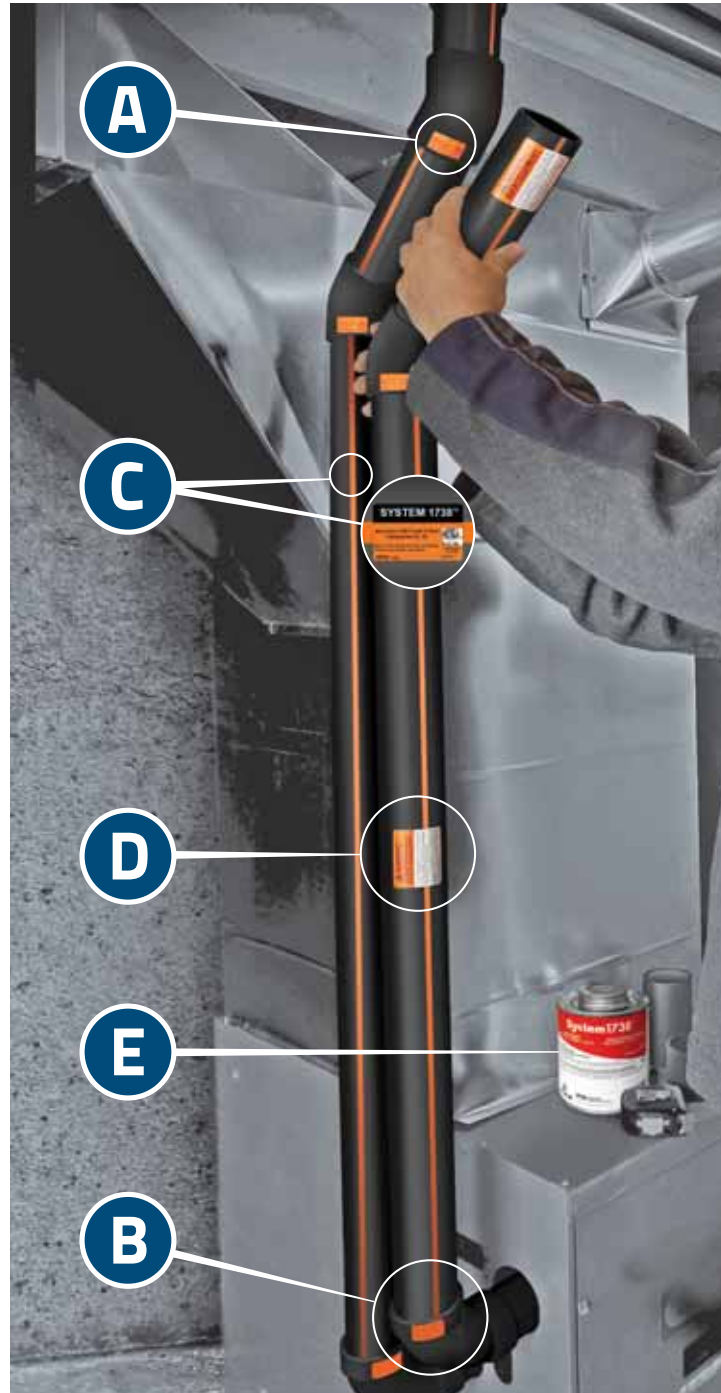
SYSTEM 1738 FLUE GAS VENTING SYSTEM INCLUDES

- UL 1738 certified vent system for Categories II and IV gas burning appliances
- Rated for flue gas temperatures up to and including 149°F (65°C)
- Sizes include 2", 3", and 4"
- Pipe, fittings, cement, and venting accessories
- Availability of cutting and bevelling tools to ensure proper joint installation
- Terminations and accessories can be painted to match building exteriors
- Installation training and literature support
- National distribution

BENEFITS OF USING SYSTEM 1738

- A** • Fully certified as a complete system of pipe, fittings, cement, and venting accessories
- B** • Permanent solvent welding joining system
- C** • Material type, temperature rating and product certification is included in the pipe print line and fitting certification sticker
- D** • Carbon monoxide warning label
- E** • Solvent cement formulated for the application

! It is important to note that different manufacturers have different joint systems and adhesives. Do **NOT** mix pipe, fittings or joining methods from different manufacturers.



Contact IPEX for more information

system1738.com | ipexna.com | 1.800.463.9572

System 1738® and Venting, ReInvented™ are trademarks of IPEX Branding Inc.



System 1738®
FLUE GAS VENTING