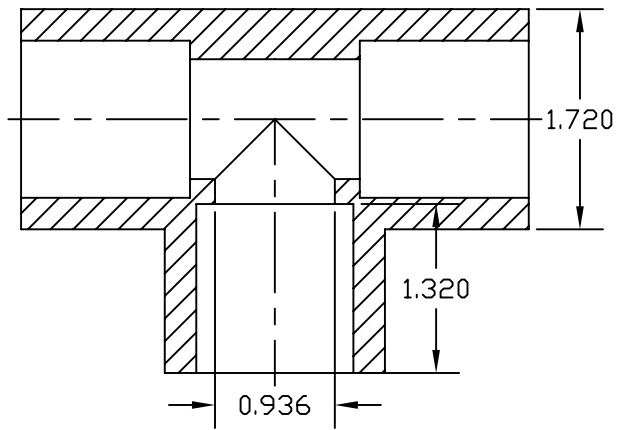
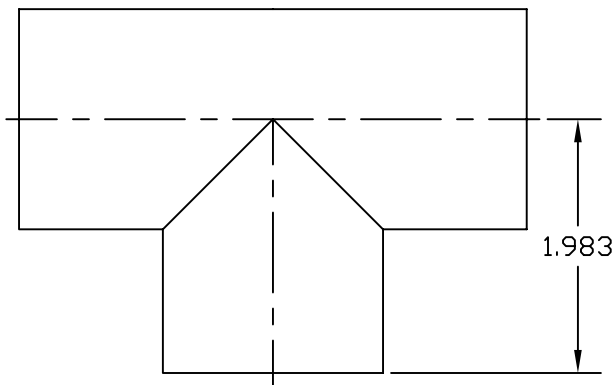
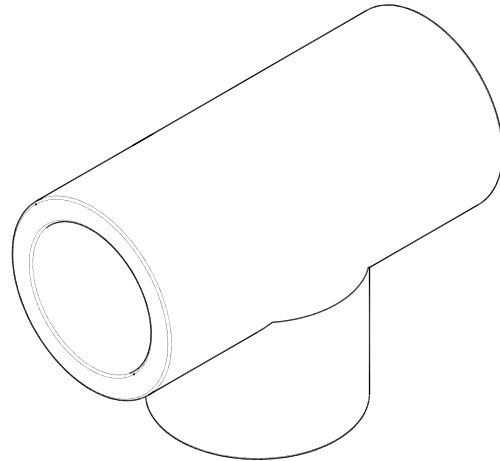
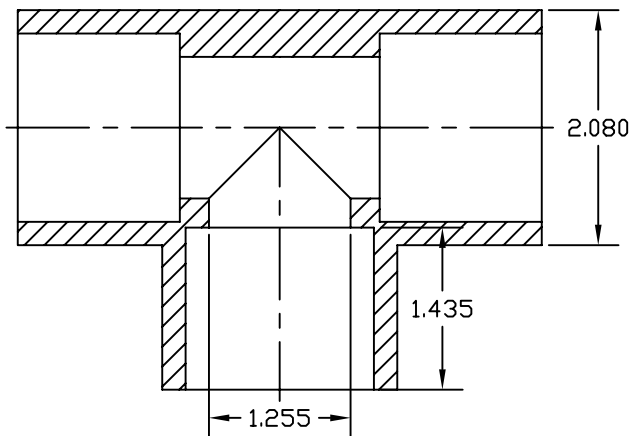
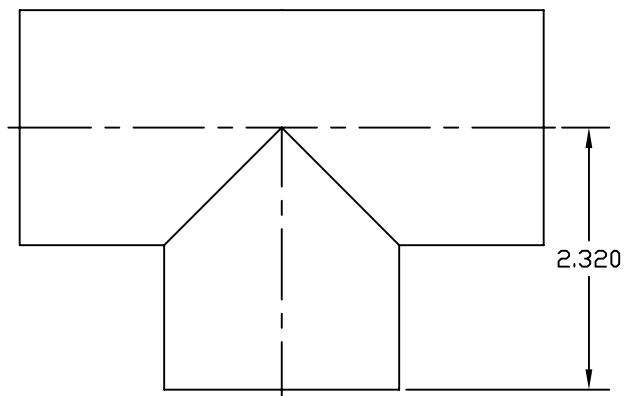
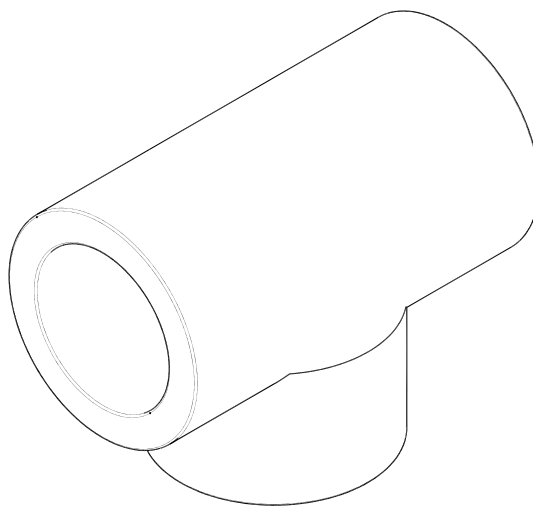

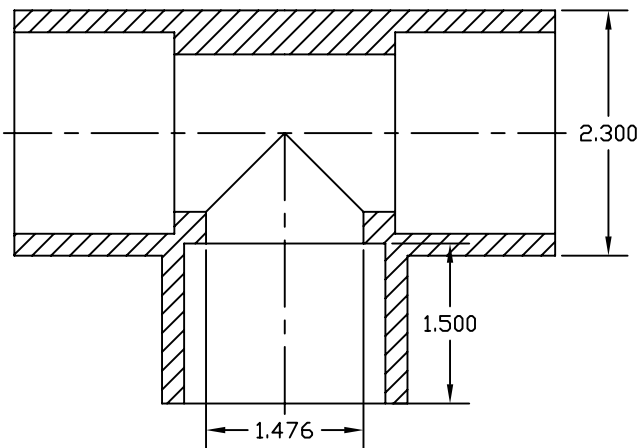
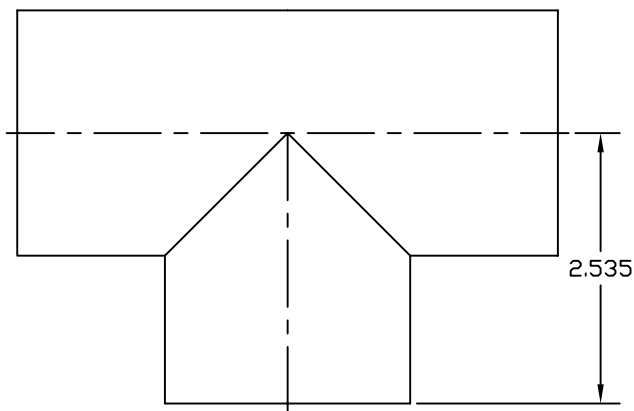
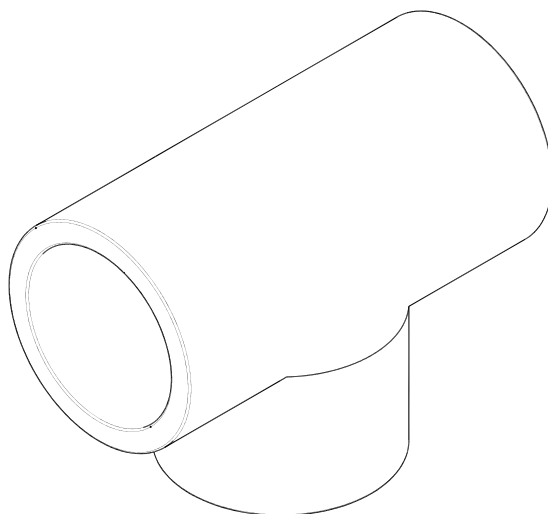
 I P E X	NAME BlazeMaster™	
	0.750" TEE	
	PART # 048486	SCALE PDF NTS
	UNIVERSAL #	MATERIAL CPVC
CANADA TEL: (800) 473-9482 FAX: (906) 570-6286	E-FILE	DATE 02APR2007
U.S. TEL: (800) 483-9572 FAX: (906) 403-1284	marketing@ipexinc.com	www.ipexinc.com
<small>THE INFORMATION CONTAINED WITHIN THIS DRAWING IS PROPRIETARY AND THE PROPERTY OF IPEX INC. ANY UNAUTHORIZED USE, MANUFACTURE OR REPRODUCTION IN WHOLE OR IN PART IS STRICTLY PROHIBITED.</small>		




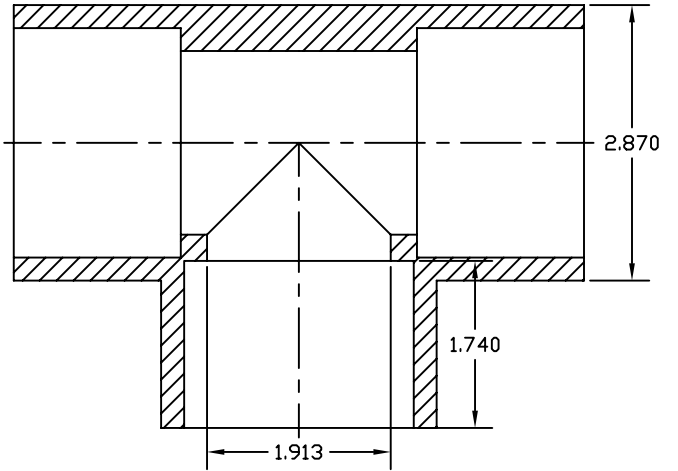
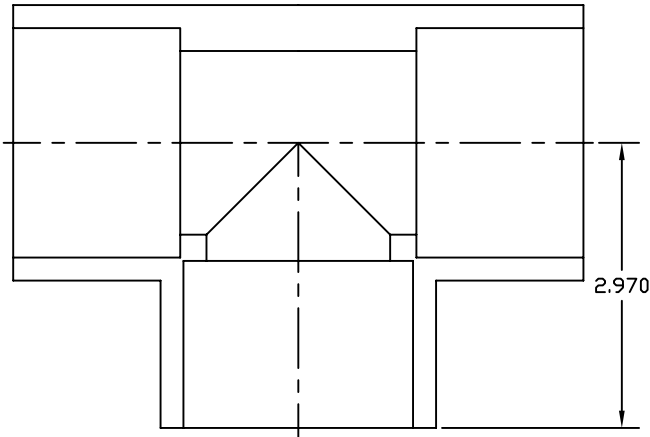
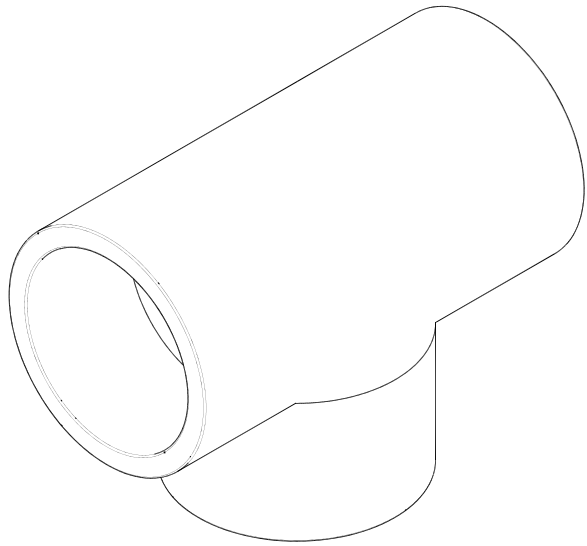
 IPEX	NAME		BlazeMaster™	
			1.000" TEE	
	PART #	048487	SCALE	PDF NTS
	UNIVERSAL #		MATERIAL	CPVC
CANADA TEL: (800) 473-5482 FAX: (905) 570-5295	E-FILE	DATE	02APR2007	
U.S. TEL: (800) 483-5572 FAX: (905) 403-1294	marketing@ipexinc.com	www.ipexinc.com		
<small>THE INFORMATION CONTAINED WITHIN THIS DRAWING IS PROPRIETARY AND THE PROPERTY OF IPEX INC. ANY UNAUTHORIZED USE, MANUFACTURE OR REPRODUCTION IN WHOLE OR IN PART IS STRICTLY PROHIBITED.</small>				



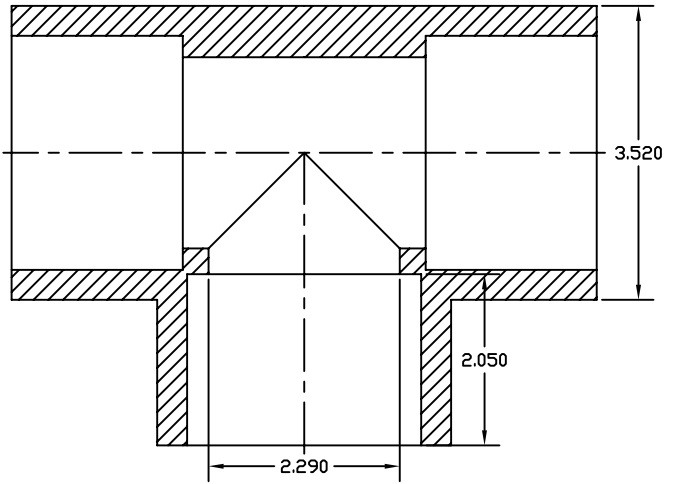
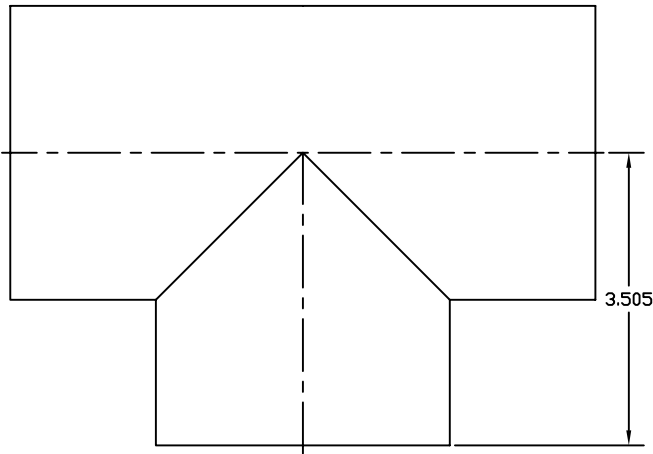
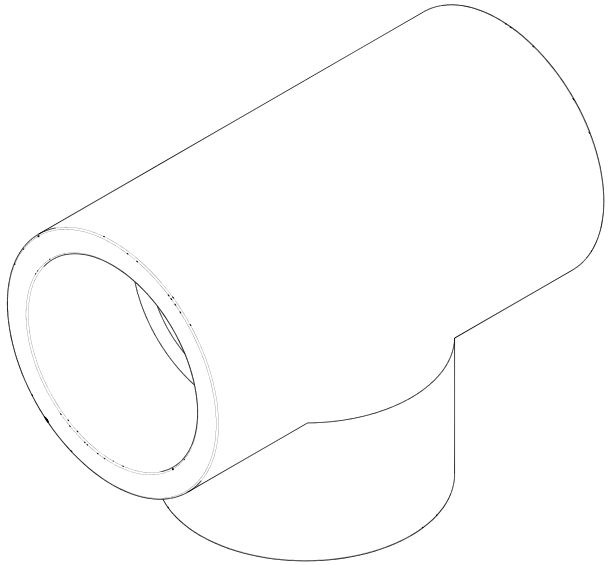
	NAME BlazeMaster™ 1.250" TEE	
	PART # 048488	SCALE PDF NTS
	UNIVERSAL #	MATERIAL CPVC
CANADA TEL: (800) 473-9182 FAX: (905) 970-9296	E-FILE	DATE 02APR2007
U.S. TEL: (800) 483-9572 FAX: (905) 428-1284	marketing@ipexinc.com	www.ipexinc.com
<small>THE INFORMATION CONTAINED WITHIN THIS DRAWING IS PROPRIETARY AND THE PROPERTY OF IPEX INC. ANY UNAUTHORIZED USE, MANUFACTURE OR REPRODUCTION IN WHOLE OR IN PART IS STRICTLY PROHIBITED.</small>		



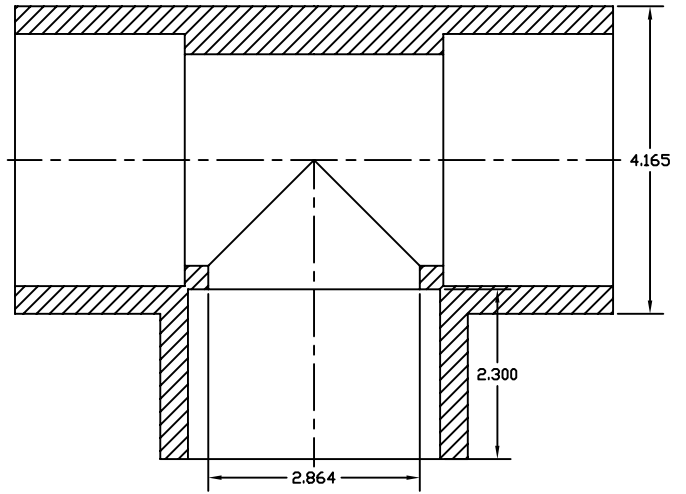
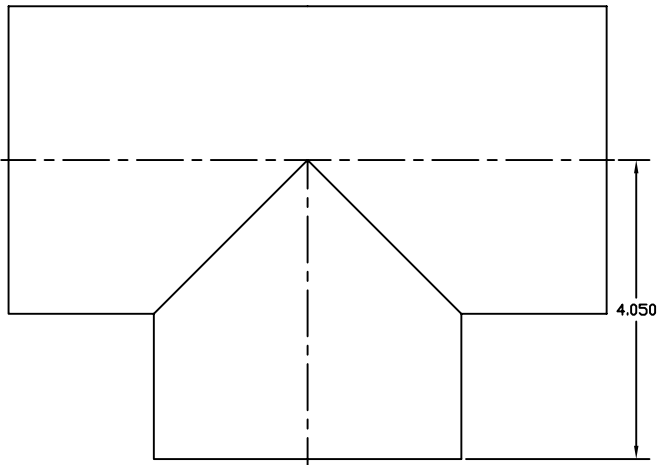
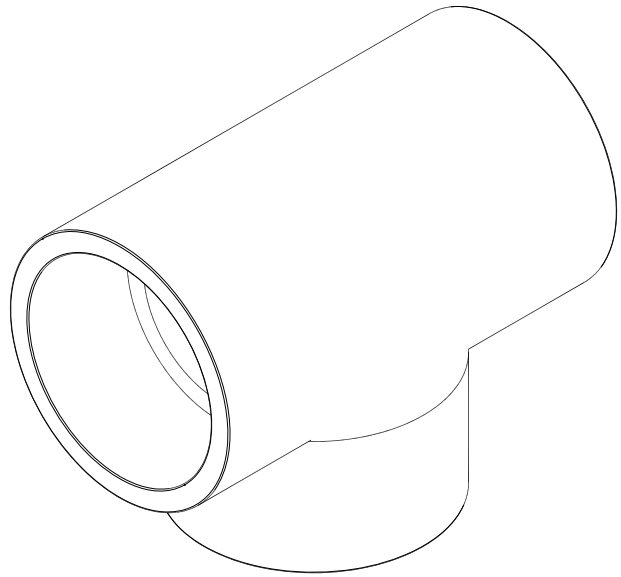
 CANADA TEL: (800) 473-8482 FAX: (800) 670-6286 U.S. TEL: (800) 483-8672 FAX: (800) 403-1284	NAME BlazeMaster™	
	PART # 1.500" TEE	
	PART # 048489	SCALE PDF NTS
	UNIVERSAL #	MATERIAL CPVC
E-FILE	DATE 02APR2007	
	marketing@ipexinc.com	www.ipexinc.com
<small>THE INFORMATION CONTAINED WITHIN THIS DRAWING IS PROPRIETARY AND THE PROPERTY OF IPEX INC. ANY UNAUTHORIZED USE, MANUFACTURE OR REPRODUCTION IN WHOLE OR IN PART IS STRICTLY PROHIBITED.</small>		




	NAME BlazeMaster™ 2.000" TEE	
	PART # 048490	SCALE PDF NTS
CANADA TEL: (800) 478-8182 FAX: (505) 870-8280	UNIVERSAL #	MATERIAL CPVC
U.S. TEL: (800) 483-8572 FAX: (505) 403-1254	E-FILE marketing@ipexinc.com	DATE 02APR2007
www.ipexinc.com		
<small>THE INFORMATION CONTAINED WITHIN THIS DRAWING IS PROPRIETARY AND THE PROPERTY OF IPEX INC. ANY UNAUTHORIZED USE, MANUFACTURE OR REPRODUCTION IN WHOLE OR IN PART IS STRICTLY PROHIBITED.</small>		



	NAME		BlazeMaster™
	PART #		2.500" TEE
	UNIVERSAL #	048491	SCALE
	MATERIAL #		PDF NTS
CANADA	TEL: (505) 475-8844	DATE	CPVC
	FAX: (505) 475-2286	02APR2007	
U.S.	TEL: (800) 485-9692	E-FILE	marketing@ipexinc.com
	FAX: (800) 403-3261	www.ipexinc.com	
<small>THE INFORMATION CONTAINED WITHIN THIS DRAWING IS PROPRIETARY AND THE PROPERTY OF IPEX INC. ANY UNAUTHORIZED USE, MANUFACTURE OR REPRODUCTION IN WHOLE OR IN PART IS STRICTLY PROHIBITED.</small>			



		NAME	BlazeMaster™ 3.000" TEE
		PART #	048492
CANADA	TEL: (800) 758-8182 FAX: (800) 375-8182 TEL: (505) 484-8022	UNIT/SCALE	BOXES PDF NTS UNIT/SCALE CPVC
U.S.	TEL: (800) 484-8022 FAX: (800) 484-8022	DATE	02APR2007
		EMAIL	marketing@ipexinc.com
		WWW	www.ipexinc.com
<small>THE INFORMATION CONTAINED HEREIN IS THE PROPERTY OF IPEX INC. AND IS TO BE USED ONLY FOR THE PURCHASE OF IPEX PRODUCTS. ANY UNAUTHORIZED USE, REPRODUCTION OR REPRODUCTION IN ANY FORM IS STRICTLY PROHIBITED.</small>			