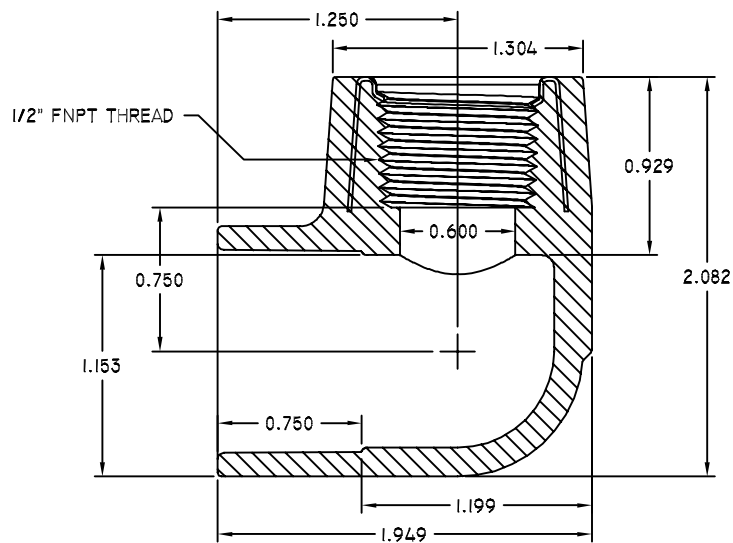
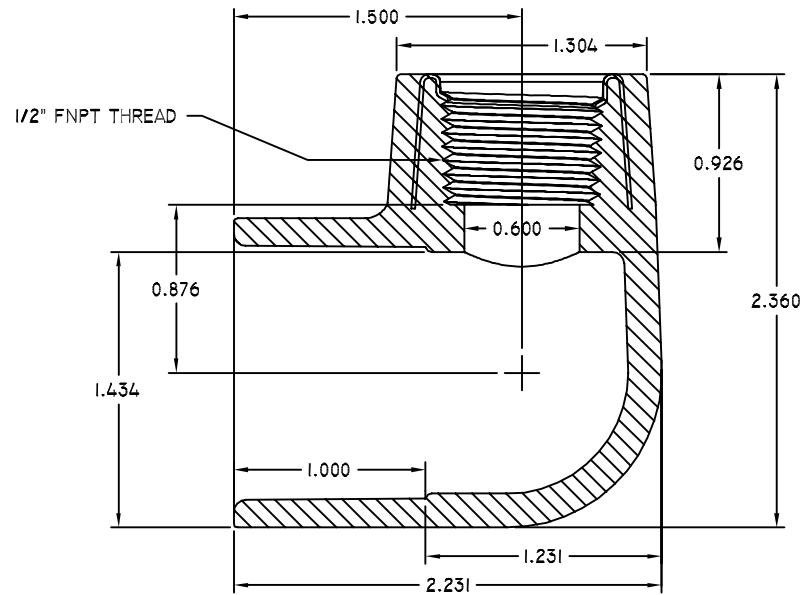
	NAME BlazeMaster® IPEX SST™	
	Female Adapter 1" Socket x 1" SHA	
	PART # 048024	SCALE 1:1
	UNIVERSAL #	MATERIAL CPVC
CANADA TEL: (800) 473-9462 FAX: (905) 570-6295	E-FILE	DATE 18MAY2007
U.S. TEL: (800) 463-9572 FAX: (905) 403-1294	marketing@ipexinc.com	www.ipexinc.com

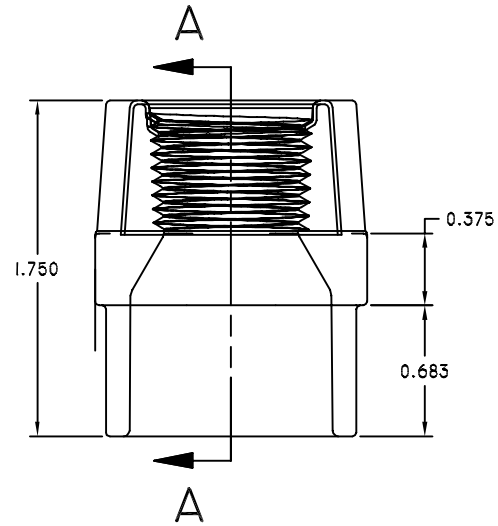
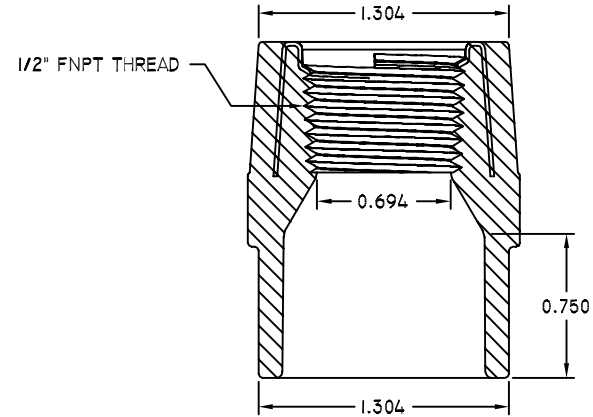
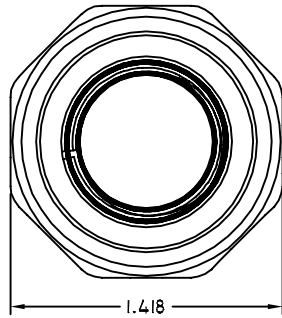
THE INFORMATION CONTAINED WITHIN THIS DRAWING IS PROPRIETARY AND THE PROPERTY OF IPEX INC.
 ANY UNAUTHORIZED USE, MANUFACTURE OR REPRODUCTION IN WHOLE OR IN PART IS STRICTLY PROHIBITED.



	NAME BlazeMaster® IPEX SST™	
	90° Elbow, 3/4" Socket x 1/2" SHA	
	PART # 048019	SCALE 1:1
	UNIVERSAL #	MATERIAL CPVC
CANADA TEL: (800) 473-9462 FAX: (905) 570-5295	E-FILE	DATE 18MAY2007
U.S. TEL: (800) 463-9572 FAX: (905) 403-1294	marketing@ipexinc.com	www.ipexinc.com
THE INFORMATION CONTAINED WITHIN THIS DRAWING IS PROPRIETARY AND THE PROPERTY OF IPEX INC. ANY UNAUTHORIZED USE, MANUFACTURE OR REPRODUCTION IN WHOLE OR IN PART IS STRICTLY PROHIBITED.		

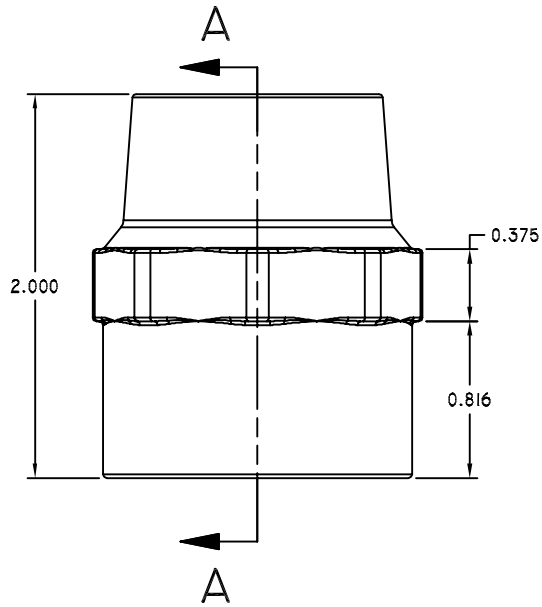
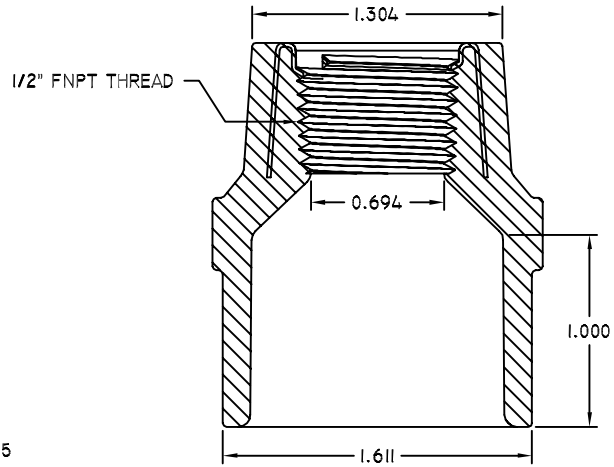
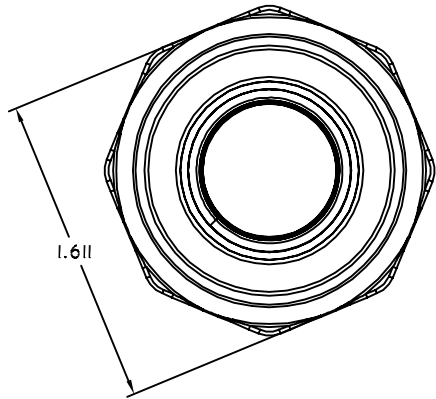


	NAME BlazeMaster® IPEX SST™	
	90° Elbow, 1" Socket x 1/2" SHA	
CANADA TEL: (800) 473-9462 FAX: (905) 570-5295	PART # 048020	SCALE 1:1
	UNIVERSAL #	MATERIAL CPVC
U.S. TEL: (800) 463-9572 FAX: (905) 403-1294	E-FILE marketing@ipexinc.com	DATE 18MAY2007
		www.ipexinc.com
THE INFORMATION CONTAINED WITHIN THIS DRAWING IS PROPRIETARY AND THE PROPERTY OF IPEX INC. ANY UNAUTHORIZED USE, MANUFACTURE OR REPRODUCTION IN WHOLE OR IN PART IS STRICTLY PROHIBITED.		



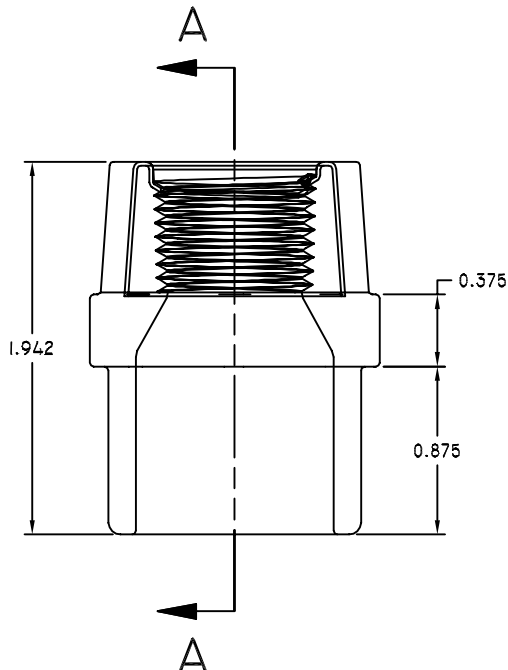
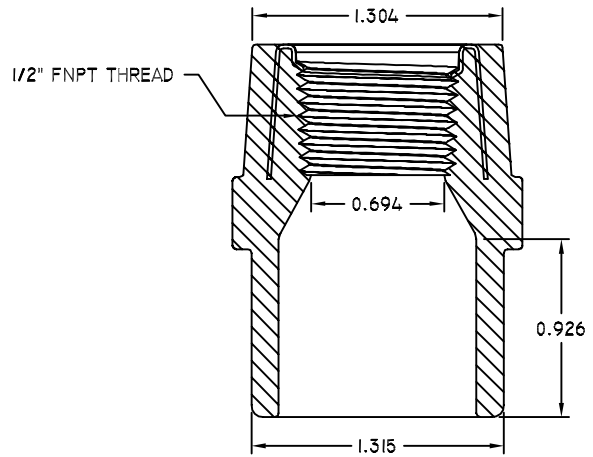
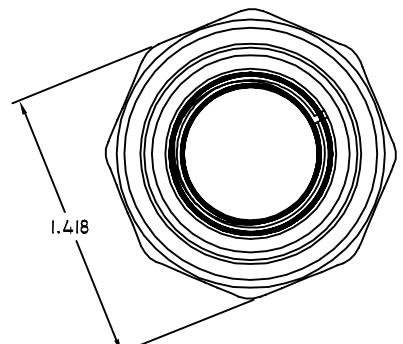
SECTION A-A

	NAME		BlazeMaster® IPEX SST™		
			3/4" Socket x 1/2" SHA		
	PART #		048026	SCALE	1:1
	UNIVERSAL #			MATERIAL	CPVC
CANADA TEL: (800) 473-9462 FAX: (905) 570-6295		E-FILE		DATE	18MAY2007
U.S. TEL: (800) 463-9572 FAX: (905) 403-1294		marketing@ipexinc.com		www.ipexinc.com	
<p>THE INFORMATION CONTAINED WITHIN THIS DRAWING IS PROPRIETARY AND THE PROPERTY OF IPEX INC. ANY UNAUTHORIZED USE, MANUFACTURE OR REPRODUCTION IN WHOLE OR IN PART IS STRICTLY PROHIBITED.</p>					



SECTION A-A

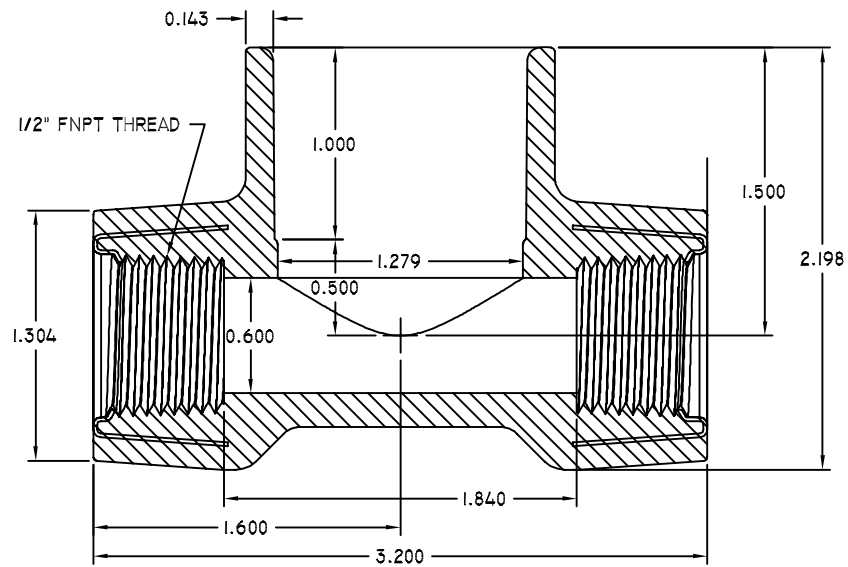
	NAME BlazeMaster® IPEX SST™ 1" Socket x 1/2" SHA	
	PART # 048527	SCALE 1:1
CANADA TEL: (800) 473-9462 FAX: (905) 570-6295 U.S. TEL: (800) 463-9572 FAX: (905) 403-1294	UNIVERSAL #	MATERIAL CPVC
	E-FILE marketing@ipexinc.com	DATE 18MAY2007 www.ipexinc.com
THE INFORMATION CONTAINED WITHIN THIS DRAWING IS PROPRIETARY AND THE PROPERTY OF IPEX INC. ANY UNAUTHORIZED USE, MANUFACTURE OR REPRODUCTION IN WHOLE OR IN PART IS STRICTLY PROHIBITED.		



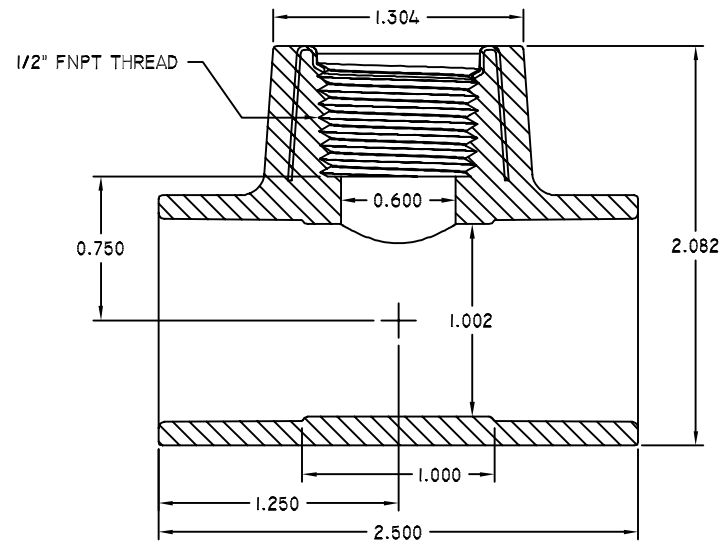
SECTION A-A

	NAME BlazeMaster® IPEX SST™	
	1" Spigot x 1/2" SHA	
	PART # 048030	SCALE 1:1
	UNIVERSAL #	MATERIAL CPVC
CANADA TEL: (800) 473-9462 FAX: (905) 570-6295	E-FILE	DATE 18MAY2007
U.S. TEL: (800) 463-9572 FAX: (905) 403-1294	marketing@ipexinc.com	www.ipexinc.com

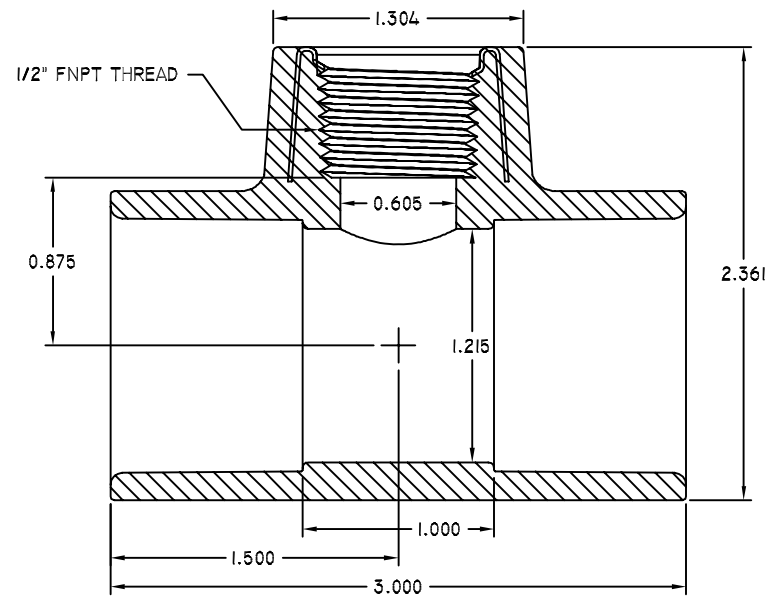
THE INFORMATION CONTAINED WITHIN THIS DRAWING IS PROPRIETARY AND THE PROPERTY OF IPEX INC. ANY UNAUTHORIZED USE, MANUFACTURE OR REPRODUCTION IN WHOLE OR IN PART IS STRICTLY PROHIBITED.



	NAME BlazeMaster® IPEX SST™	
	Tee 1/2" SHA, 1/2" SHA x 1" Socket	
	PART # 048062	SCALE 1:1
	UNIVERSAL #	MATERIAL CPVC
CANADA TEL: (800) 473-9462 FAX: (905) 570-5295	E-FILE	DATE 18MAY2007
U.S. TEL: (800) 463-9572 FAX: (905) 403-1294	marketing@ipexinc.com	www.ipexinc.com
THE INFORMATION CONTAINED WITHIN THIS DRAWING IS PROPRIETARY AND THE PROPERTY OF IPEX INC. ANY UNAUTHORIZED USE, MANUFACTURE OR REPRODUCTION IN WHOLE OR IN PART IS STRICTLY PROHIBITED.		



 I P E X	NAME BlazeMaster® IPEX SST™	
	Tee 3/4" Socket x 3/4" Socket x 1/2" SHA	
	PART # 048010	SCALE 1:1
	UNIVERSAL #	MATERIAL CPVC
CANADA TEL: (800) 473-9462 FAX: (905) 570-5295	E-FILE	DATE 18MAY2007
U.S. TEL: (800) 463-9572 FAX: (905) 403-1294	marketing@ipexinc.com	www.ipexinc.com
THE INFORMATION CONTAINED WITHIN THIS DRAWING IS PROPRIETARY AND THE PROPERTY OF IPEX INC. ANY UNAUTHORIZED USE, MANUFACTURE OR REPRODUCTION IN WHOLE OR IN PART IS STRICTLY PROHIBITED.		



 I P E X	NAME BlazeMaster® IPEX SST™	
	Tee 1" Socket x 1" Socket x 1/2" SHA	
	PART # 048012	SCALE 1:1
	UNIVERSAL #	MATERIAL CPVC
CANADA TEL: (800) 473-9462 FAX: (905) 570-5295	E-FILE	DATE 18MAY2007
U.S. TEL: (800) 463-9572 FAX: (905) 403-1294	marketing@ipexinc.com	www.ipexinc.com
THE INFORMATION CONTAINED WITHIN THIS DRAWING IS PROPRIETARY AND THE PROPERTY OF IPEX INC. ANY UNAUTHORIZED USE, MANUFACTURE OR REPRODUCTION IN WHOLE OR IN PART IS STRICTLY PROHIBITED.		