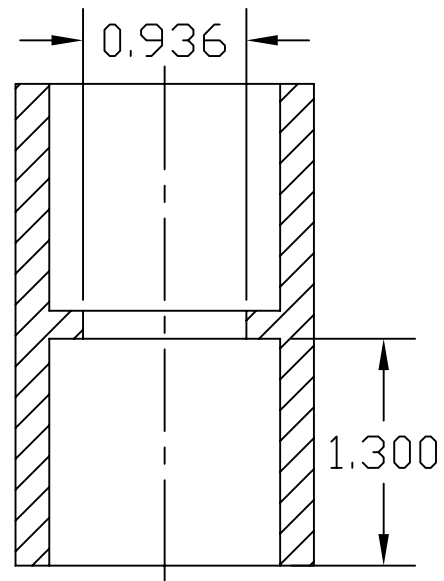
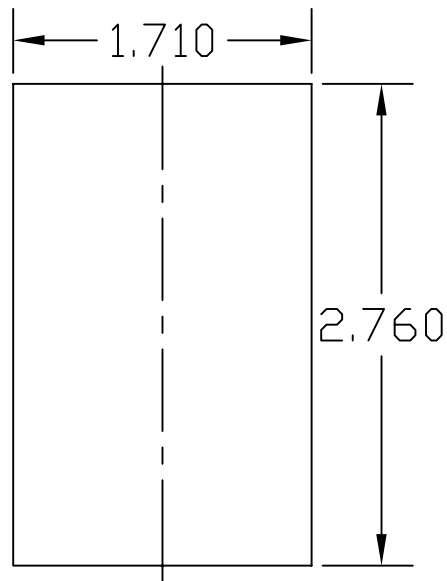
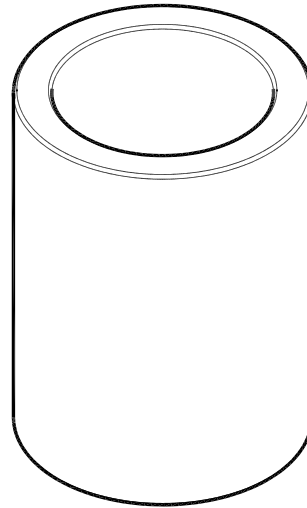

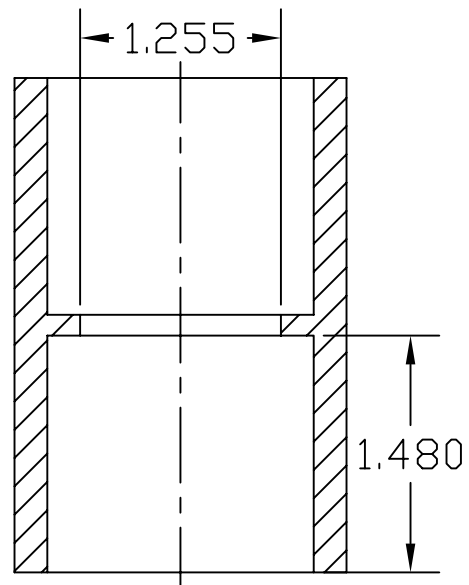
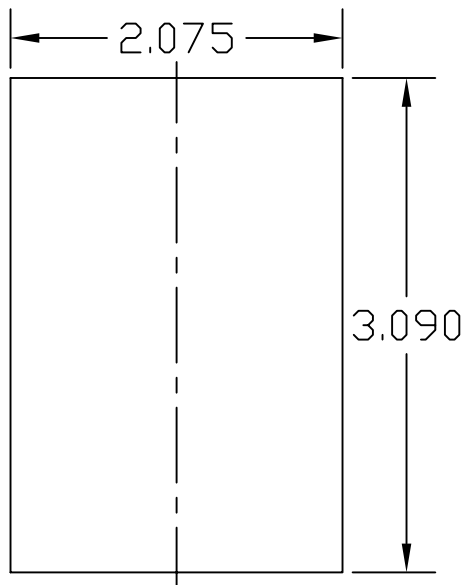
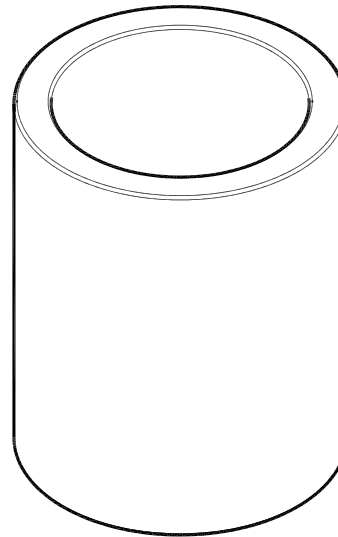

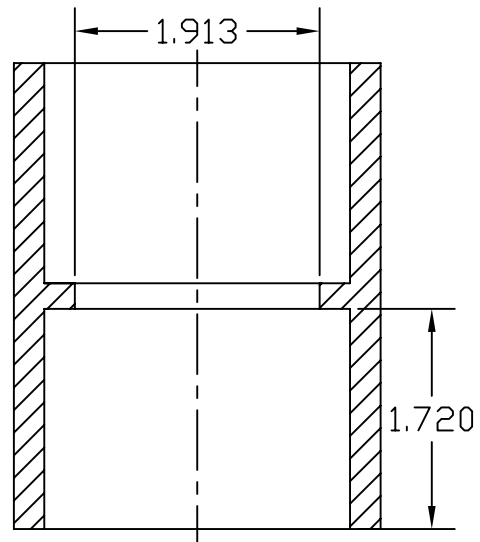
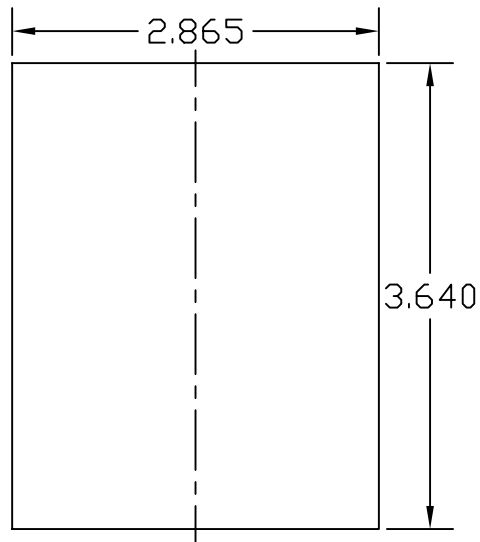
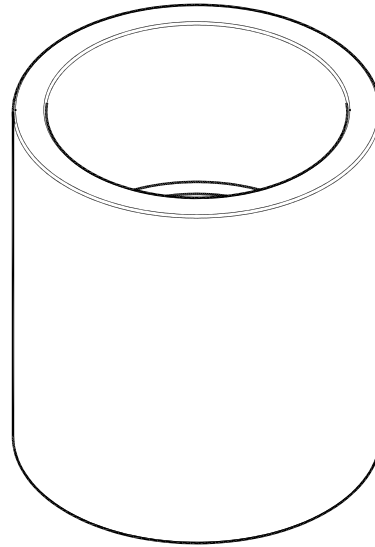
	NAME BlazeMaster™ 0.750" COUPLING	
	PART # 048407	SCALE PDF NTS
	UNIVERSAL #	MATERIAL CPVC
CANADA TEL: (800) 473-9462 FAX: (905) 570-5295	E-FILE	DATE 02APR2007
U.S. TEL: (800) 463-9572 FAX: (905) 403-1294	marketing@ipexinc.com	www.ipexinc.com
THE INFORMATION CONTAINED WITHIN THIS DRAWING IS PROPRIETARY AND THE PROPERTY OF IPEX INC. ANY UNAUTHORIZED USE, MANUFACTURE OR REPRODUCTION IN WHOLE OR IN PART IS STRICTLY PROHIBITED.		




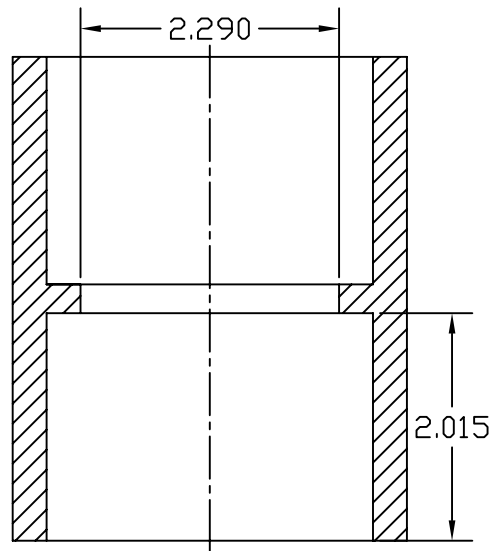
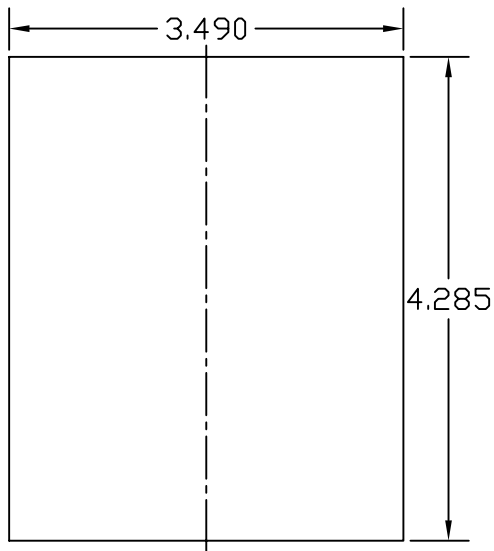
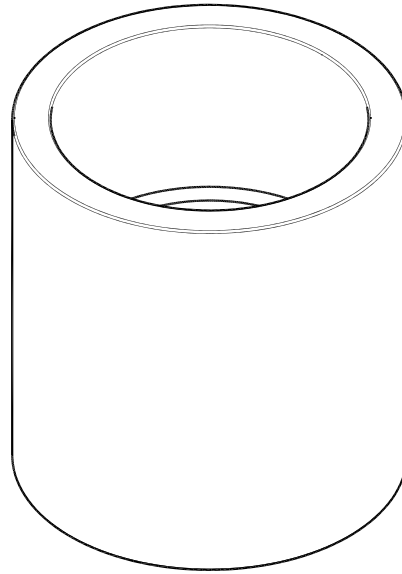
 I P E X	NAME BlazeMaster™ 1.000" COUPLING	
	PART # 048408	SCALE PDF NTS
	UNIVERSAL #	MATERIAL CPVC
	E-FILE	DATE 02APR2007
CANADA TEL: (800) 473-9462 FAX: (905) 570-5295	marketing@ipexinc.com	
U.S. TEL: (800) 463-9572 FAX: (905) 403-1294	www.ipexinc.com	
THE INFORMATION CONTAINED WITHIN THIS DRAWING IS PROPRIETARY AND THE PROPERTY OF IPEX INC. ANY UNAUTHORIZED USE, MANUFACTURE OR REPRODUCTION IN WHOLE OR IN PART IS STRICTLY PROHIBITED.		




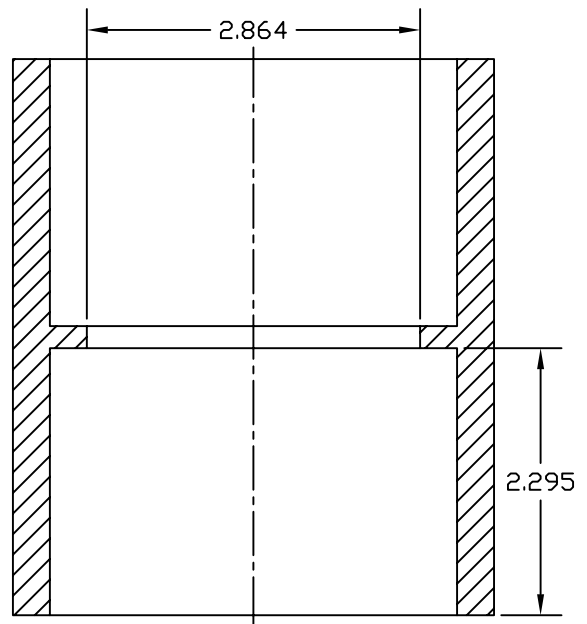
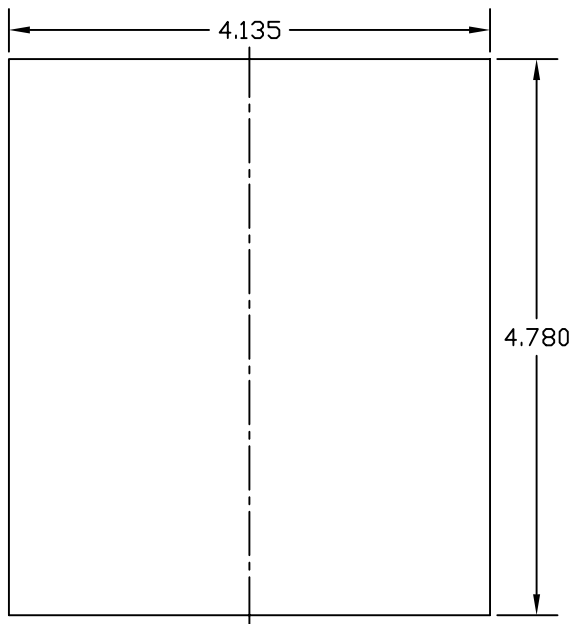
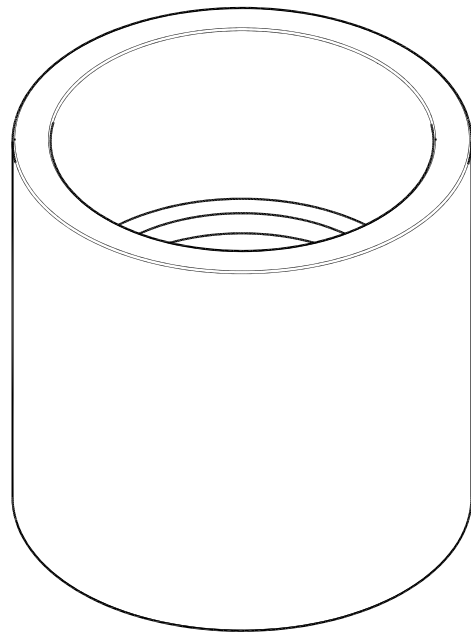
 I P E X	NAME BlazeMaster™ 1.250" COUPLING	
	PART # 048409	SCALE PDF NTS
	UNIVERSAL #	MATERIAL CPVC
	E-FILE	DATE 02APR2007
CANADA TEL: (800) 473-9462 FAX: (905) 570-5295	marketing@ipexinc.com	
U.S. TEL: (800) 463-9572 FAX: (905) 403-1294	www.ipexinc.com	
THE INFORMATION CONTAINED WITHIN THIS DRAWING IS PROPRIETARY AND THE PROPERTY OF IPEX INC. ANY UNAUTHORIZED USE, MANUFACTURE OR REPRODUCTION IN WHOLE OR IN PART IS STRICTLY PROHIBITED.		




	NAME BlazeMaster™ 2.000" COUPLING	
	PART #	048411
	UNIVERSAL #	
	E-FILE	marketing@ipexinc.com
	SCALE	PDF NTS
CANADA TEL: (800) 473-8482 FAX: (906) 570-5295		MATERIAL CPVC
U.S. TEL: (800) 483-8672 FAX: (906) 403-1284		DATE 02APR2007
		www.ipexinc.com
THE INFORMATION CONTAINED WITHIN THIS DRAWING IS PROPRIETARY AND THE PROPERTY OF IPEX INC. ANY UNAUTHORIZED USE, MANUFACTURE OR REPRODUCTION IN WHOLE OR IN PART IS STRICTLY PROHIBITED.		



	NAME BlazeMaster™		
	2.500" COUPLING		
	PART #	048412	SCALE PDF NTS
	UNIVERSAL #		MATERIAL CPVC
CANADA TEL: (800) 475-9482 FAX: (800) 570-5295		E-FILE	DATE 02APR2007
U.S. TEL: (800) 485-9572 FAX: (800) 420-1294		marketing@ipexinc.com	www.ipexinc.com
THE INFORMATION CONTAINED WITHIN THIS DRAWING IS PROPRIETARY AND THE PROPERTY OF IPEX INC. ANY UNAUTHORIZED USE, MANUFACTURE OR REPRODUCTION IN WHOLE OR IN PART IS STRICTLY PROHIBITED.			



 I P E X	NAME		
	BlazeMaster™		
	3.000" COUPLING		
	PART #	048413	SCALE PDF NTS
	UNIVERSAL #		MATERIAL CPVC
CANADA TEL: (800) 478-9482 FAX: (905) 570-5290	E-FILE		DATE 02APR2007
U.S. TEL: (800) 483-9572 FAX: (905) 403-1294	marketing@ipexinc.com		www.ipexinc.com
THE INFORMATION CONTAINED WITHIN THIS DRAWING IS PROPRIETARY AND THE PROPERTY OF IPEX INC. ANY UNAUTHORIZED USE, MANUFACTURE OR REPRODUCTION IN WHOLE OR IN PART IS STRICTLY PROHIBITED.			