

UNIVERSAL STORM SEWER SADDLE

TOLL FREE CANADA: (866) 473-9462

TOLL FREE U.S.: (800) 463-9572

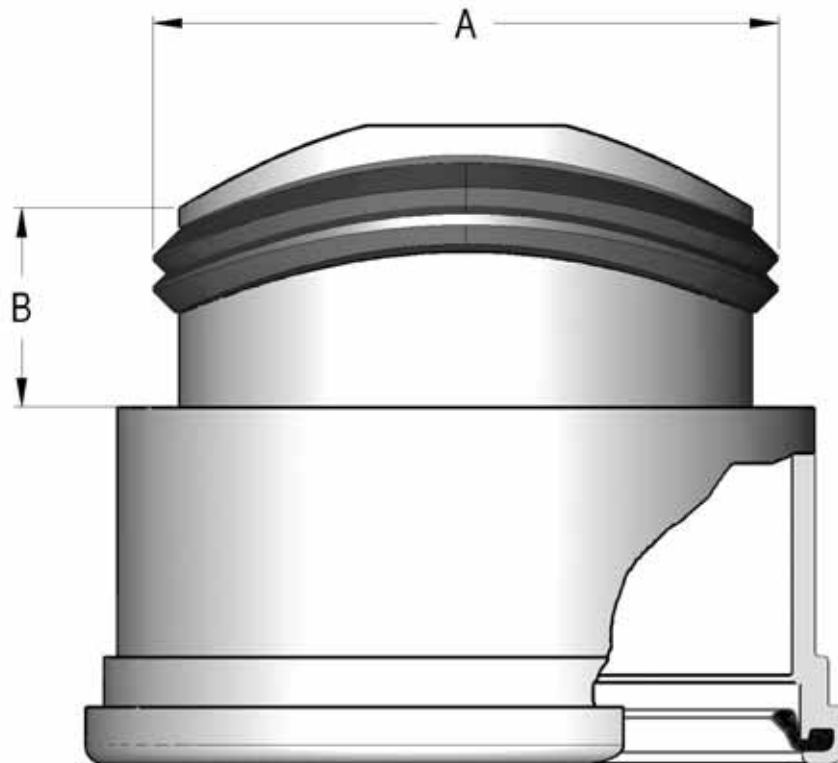
www.ipexinc.com

MUNICIPAL PIPING SYSTEMS

Ring-Tite®

IPEX's Universal Storm Sewer Saddle is ideal for connecting SDR 35 & SDR 28 piping systems to your existing concrete infrastructure. Manufactured to demanding ASTM and CSA standards, this robust saddle creates a watertight seal to help eliminate infiltration and exfiltration in your system.

ASTM
MEMBER



Nominal Size (inches)	Product Code	A		B		Hole diameter (inches)
		(in)	(mm)	(in)	(mm)	
4	082244	4.76	120.9	1.6	41	4.5
5	082245	5.75	146.1	1.7	44	5.5
6	082246	6.69	169.9	2.8	70	6.5
8	082248	9.23	234.4	2.6	67	9