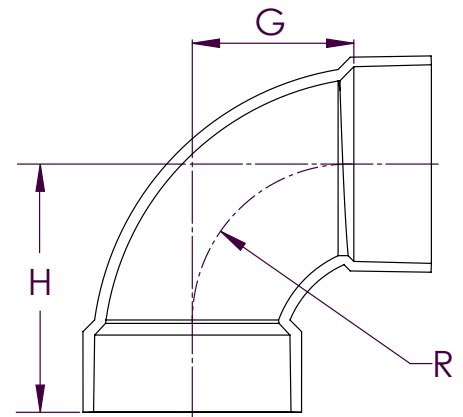


## System 636<sup>®</sup> PVC & CPVC 90° Elbows

Size	Product Code	Dimensions					
		G		R		H	

### FGV 90° Elbows H x H

in.	mm	PVC	in.	mm	in.	mm	in.	mm
2	50	196035	1.6	40	2.1	52	2.3	60
2-1/2	65	196525	1.5	38	1.4	35	3.3	83
3	75	196025	2.2	55	3.2	82	3.9	98
6	150	196140	5	127	6.5	165	8	203
CPVC								
2	50	197199	1.3	32	1.3	33	2.8	71
3	75	197201	1.8	45	1.8	47	3.7	94
4	100	197202	2.3	59	2.3	59	4.6	117
6	150	197203	3.5	89	2.9	74	6.5	165
8	200	197204	4.4	112	3.9	98	8.5	217



### FGV 90° Long Elbows H x H

in.	mm	PVC	in.	mm	in.	mm	in.	mm
1-1/2	40	196121	1.5	38	1.9	48	2.2	56
2	50	196122	2.3	59	2.8	71	3.1	79
2-1/2	65	196120	3.3	83	3.7	94	3.9	99
3	75	196123	3.1	78	3.5	90	4.5	114
4	100	196124	2.9	74	4	102	5.7	145
CPVC								
2	50	197122	2.3	59	2.8	71	3.1	79
3	75	197123	3.1	78	3.5	90	4.6	117
4	100	197124	3.9	100	4.6	116	5.7	145
6	150	197125	5.0	127	6.5	166	8.2	208
8	200	197126	6.0	152	8.2	209	10	254



197124

197122

196123

### FGV 90° Extra Long Elbows (EL) H x H

in.	mm	PVC	in.	mm	in.	mm	in.	mm
2	50	196022	3.3	83	3.7	94	4	102
3	75	196023	4.1	103	4.6	118	5.6	141

System 636 PVC is rated for flue gas temperatures up to and including 65°C.  
System 636 CPVC is rated for flue gas temperatures up to and including 90°C.

### Contact us

Visit our website: [ipexna.com](http://ipexna.com)

Toll free Canada: (866) 473-9462

Products are manufactured by IPEX Inc.  
System 636<sup>®</sup> is a registered trademark.